



Client \_\_\_\_\_ Quantity \_\_\_\_\_  
 Project \_\_\_\_\_ Position \_\_\_\_\_

## Master 1400 It cabinet

**Model:** A140/2N

**Cod:** A14140100201

### Technical data

<b>Gross capacity:</b>	1356 lt
<b>Temperature range:</b>	0°+10°C
<b>Refrigerant unit:</b>	Plug-In
<b>Energetic class:</b>	B
<b>Energy efficiency index:</b>	30,9
<b>Annual consumption:</b>	644 kW/h annum
<b>24h consumption:</b>	1,764 kW/h/24h
<b>Climate class:</b>	5
<b>Cooling gas:</b>	R290
<b>Defrost:</b>	Off cycle automatic
<b>Valve:</b>	Supplied standard with solenoid
<b>Dimensions:</b>	1480×815×2085 mm
<b>Packing dimensions:</b>	1575×930×2250 mm
<b>Gross weight:</b>	220 Kg
<b>Voltage:</b>	220-240 V - 50 Hz
<b>Total rate:</b>	260 W
<b>Absorbed Current:</b>	1,2 A
<b>Cooling capacity:</b>	533 W*
<b>*:</b>	Evap. -10°C Cond. +55°C

### Features

<b>Standard equipment:</b>	6 slides for GN2/1 shelves, 6 plastic coated GN2/1 shelves, lock with key, LED lighting
<b>Control:</b>	Electronic, display flush with the panel
<b>Doors:</b>	1 door, self-closing with a 105° stop, right hinged
<b>Door gasket:</b>	Magnetic, triple chamber and easily replaceable
<b>Insulation:</b>	75 mm thickness - CFC/HCFC free
<b>Exterior/interior finishing:</b>	Exterior and interior AISI 304 stainless steel. Back, base and internal technical compartment in galvanized/ colaminated steel.
<b>Inner corners:</b>	Rounded for easy cleaning and ensuring maximum hygiene
<b>Handle:</b>	Stainless steel AISI 304, 2 mm thick
<b>Racks and slides:</b>	Stainless steel AISI 304
<b>Feets:</b>	Stainless steel AISI 304, adjustable h 100-150 mm
<b>Cosmo:</b>	Ready for connection to Cosmo Hub

## Accessories and variants

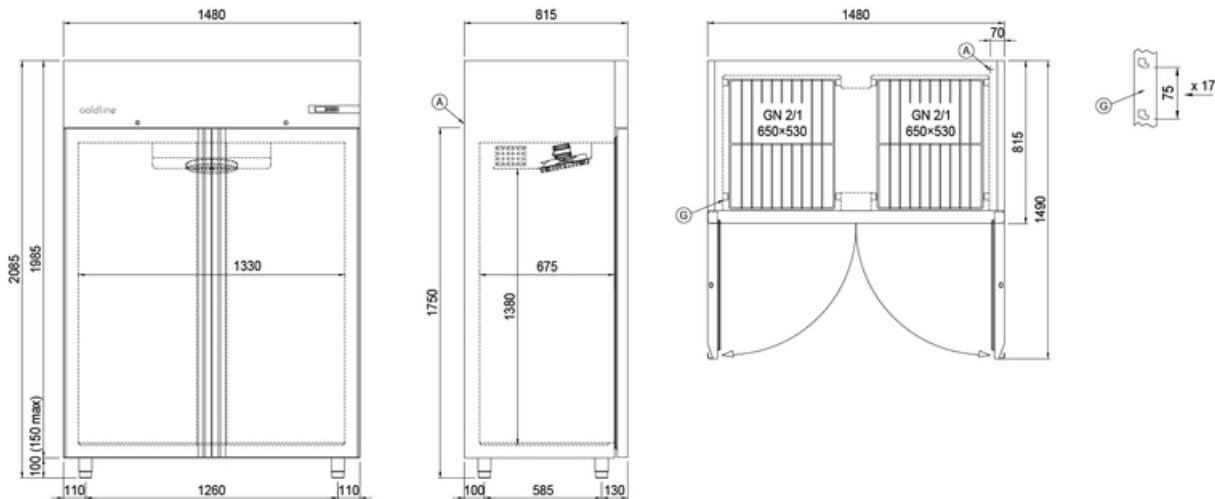
Power supply frequency 60Hz  
 Other special voltage  
 Half doors (4 doors)  
 Frame for fixed masonry plinth  
 RAL customisable colouring  
 Master Marine solutions  
 Predisposition for connection to CO2 remote control unit  
 Kit für Öffnung der Tür mit Pedal  
 4 Swivel and brake castors h 128 mm  
 Stainless steel shelf GN2/1  
 Plastic coated shelf GN2/1  
 Pair of type C slides 605 mm  
 Stainless steel drawer, h 150 mm 700/1400  
 Bottles shelf, stainless steel coating for shelf 700/1400  
 Intermediate shelf connection  
 Serial interface, RS485 cable  
 Cosmo connection kit

## COSMO - wi-fi control

Cosmo is the wi-fi technology that allow to connect and monitor all Coldline appliances. Connect Master cabinets to a Cosmo hub (MODI, VISION or LEVTRONIC) and from the app you can check the operating conditions of each machine and receive alerts in case of abnormal functioning.

\*The installation requires a kit for the replacement of the racks

## Technical draw



**A:** Power supply cable outlet

**D:** Airflow conveyor

**G:** Racks pitch