

### Product Information:

- High performance undercounter glasswasher
- **E-Management:** intuitive and advanced electronic interface
- Four wash cycles 90/120/180 seconds, and 9 minute deep clean
- Green standby function that reduces energy consumption when idle
- Low water consumption of 2.0 litres per cycle, minimising water, energy and detergent use
- Partial double skin cabinet, and double skin door
- Pressed wash tank with rounded corners, for increased hygiene
- Upper and lower stainless steel wash and rinse arms
- Robust upper tank scrap filters in stainless steel
- Automatic drain pump with self-cleaning function
- Soft start wash pump
- Built in thermostop, ensures correct rinse temperatures
- Built in detergent and rinse-aid injection
- **18-months parts and labour warranty**

### Included Accessories:

- 1 x flat cup basket 500x500mm
- 1 x peg plate basket 500x500mm
- 1 x cutlery insert
- 1 x water inlet hose, length 1.5m
- 1 x drain hose, length 2.0m
- Adjustable front feet and rear rollers

### Optional Accessories:

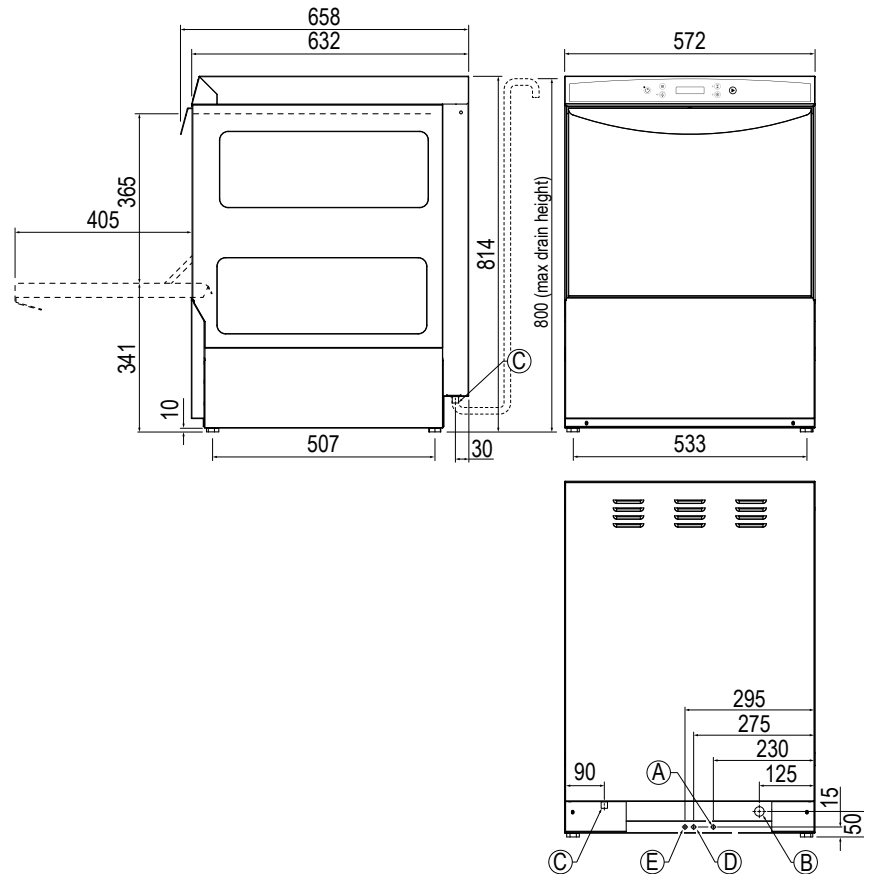
- Stand with basket storage under
- Additional baskets

### Specifications:

<b>Model</b>	AF50.35EM
<b>W x D x H (mm)</b>	572 x 658 x 814
<b>Weight</b>	53kg
<b>Packed Dimensions (mm)</b>	660 x 720 x 960
<b>Packed Weight</b>	61kg
<b>Total Connected Load</b>	3.25kW
<b>Electrical Connection</b>	230VAC / 50Hz (15A plug & lead fitted)
<b>Water Quantity Per Cycle</b>	2.0 Litres
<b>Water Connection</b>	1.5m Hose / 3/4" BSP
<b>Water Inlet Pressure</b>	200 - 500KPA
<b>Tempered water supply</b>	10°C - 60°C
<b>Waste Connection</b>	2m Hose / ø20.5mm

### Legend:

- A Electrical Connection
- B Water Connection
- C Drain Connection
- D Detergent Line
- E Rinse-Aid Line



Due to continuous product research and development, the information contained herein is subject to change without notice.  
Revision: A - 17/04/2024 - 03

