

BAKER

REFRIGERATION

CURL 3 GREEN SEMI-VERTICAL CHILLER



CHILLER



R290



PLUG-IN

FEATURES INCLUDE

- High efficiency fan motors
- 4 levels adjustable shelves + base
- LED canopy lighting including switch
- Castor Wheels
- Glass end walls
- Automatic defrost
- Manual night blind
- Black internal / black external



Scan here to check for Energy Efficiency Rebates in your state.



Product image not to scale

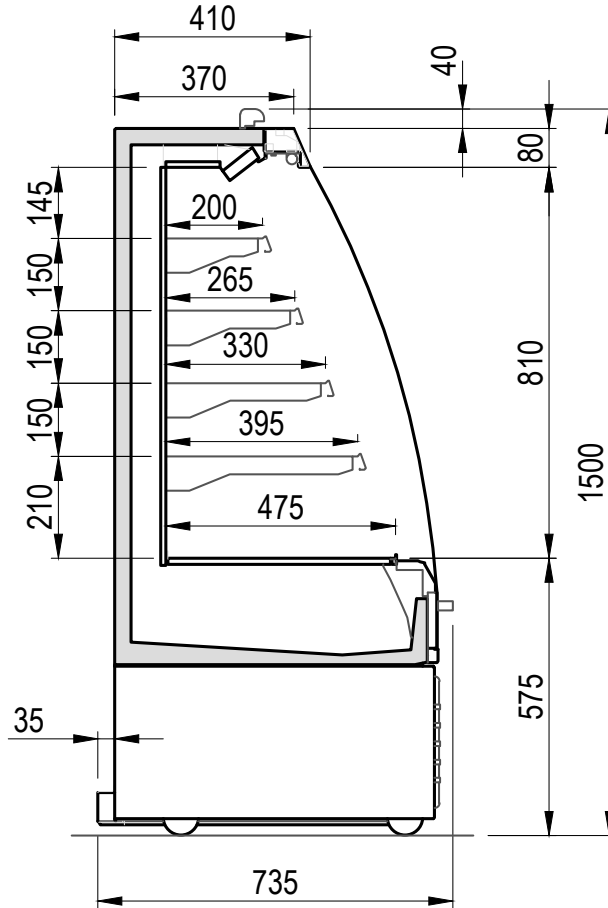
1800 423 626 | ajbaker.com.au | email@ajbaker.com.au

RTA: AU10320



REFRIGERATION

BONNET NÉVÉ CURL 3 GREEN



CURL 3 GREEN	700	937	1250
OPERATING TEMP (°C)	+2/+4		
REFRIGERATION	Ventilated / R290		
DEFROST	Automatic / Off-cycle		
POWER SUPPLY	230V / 1Ph / 10 Amp plug		
NOMINAL POWER (W)	763	830	909
ENERGY CONSUMPTION (kWh/24h)	13.6	12.6	14.9
DISPLAY SURFACE (m ²)	0.80	1.58	2.09
LENGTH WITH END WALLS (mm)	760	997	1310
TOTAL HEIGHT INCLUDING CASTORS (mm)	1500	1500	1500
DEPTH WITH BUMPER (mm)	735	735	735
DEPTH WITHOUT BUMPER (mm)	705	705	705
WEIGHT WITH PACKAGING (kg)	175	210	240
WEIGHT WITHOUT PACKAGING (kg)	150	190	220

* Climate class 3 (25 °C, 60% R/H)

PERTH | BRISBANE | SYDNEY | MELBOURNE | ADELAIDE | BUNBURY

RTA: AU10320

