



REFRIGERATION

# OFFFLIP 3 ECO

SLIM-LINE MULTI DECK CHILLER



CHILLER



R290



PLUG-IN

## FEATURES INCLUDE

- High efficiency fan motors
- 4 levels of adjustable shelves + base
- Glass end walls
- Black internal / black external
- Castor wheels standard
- LED lighting to canopy & mullions
- Double glazed glass doors



Scan here to check for Energy Efficiency Rebates in your state.

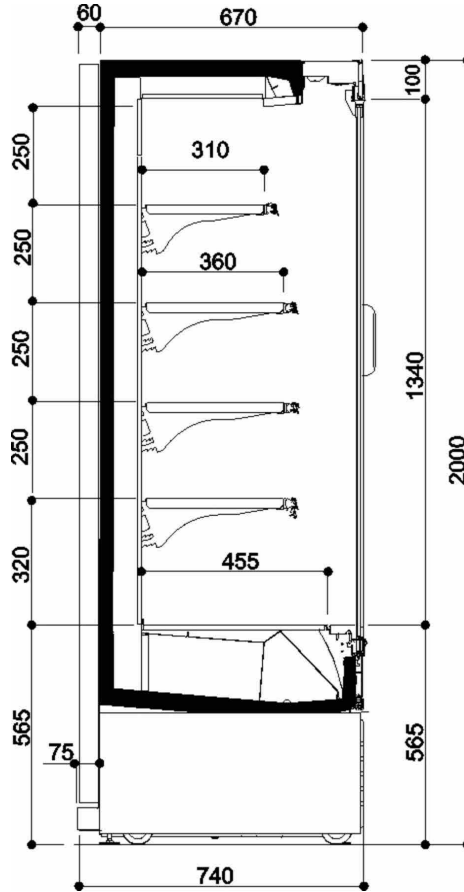


Product image not to scale.

# BAKER

## REFRIGERATION

### BONNET NÉVÉ OFFLIP 3 ECO



OFFLIP 3 ECO	1250	1875
OPERATING TEMP (°C)	0/+2	0/+2
REFRIGERATION	Ventilated / R290	
DEFROST	Automatic / Off-cycle	
POWER SUPPLY	230V / 1Ph / 10 Amp plug	
NOMINAL POWER (W)	370	580
ENERGY CONSUMPTION (kWh/24h)	6.3	7.1
DISPLAY SURFACE (m <sup>2</sup> )	2.30	3.45
LENGTH WITH END WALLS (mm)	1310	1935
TOTAL HEIGHT INCLUDING CASTORS (mm)	2000	2000
DEPTH WITH BUMPER (mm)	740	740
WEIGHT WITH PACKAGING (kg)	260	410
WEIGHT WITHOUT PACKAGING (kg)	240	380

\* Climate class 3 (25 °C, 60% R/H)

PERTH | BRISBANE | SYDNEY | MELBOURNE | ADELAIDE | BUNBURY

RTA: AU10320

