

BTGHT6

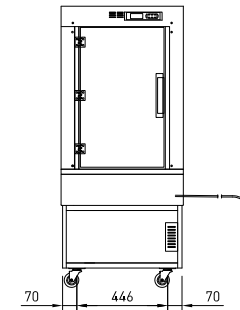
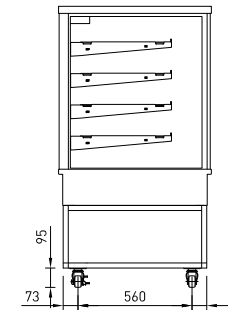
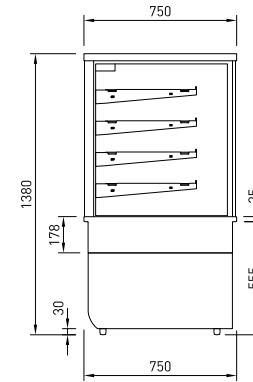
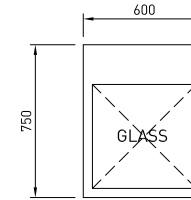


PRODUCT FEATURES

- Single glazed hinged rear door
- Deck forced heating
- Single glazed
- Solid front or sliding front doors
- Four adjustable shelves - flat or angled
- Ticket strips on shelves and base
- Under shelf and canopy LED lights

Maximum shelf load weight 15kg spread evenly

BTGHT6-SD



REAR VIEW

CABINET DIMENSIONS & SPECIFICATIONS

Prior to installation see, installation guidelines, ventilation requirements and drainage options documents

MODEL	CABINET				SHELVING	OPERATING TEMP	SHELF	BASE TRAY	TOTAL FOOD	DISPLAY M ²	INTERNAL VOLUME M ³	FREQUENCY	POWER		CONNECTION ELECTRICAL POWER CORD 2200MM		VOLTAGE	PACKED FOR SHIPPING			
	LENGTH [MM]	DEPTH [MM]	HEIGHT [MM]	WEIGHT [KG]									DEG C	W X D	W X D	100MM UNITS		KW 230V	AMP	NZ/AUS 3 PIN	UK 13 AMP
BTGHT6 BTGHT6-SD	600	750	1380	118	4 + BASE	75-85	490 X 445	540 x 510	100	1.14	0.29	50/60 HZ	1.24	5.4	10 AMP	3 PIN PLUG	220-240V	700	830	1550	121

BTGHT9

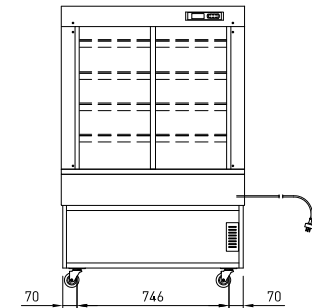
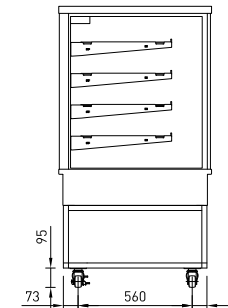
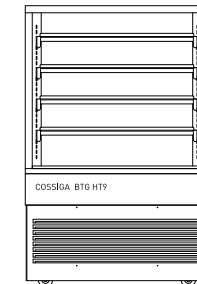
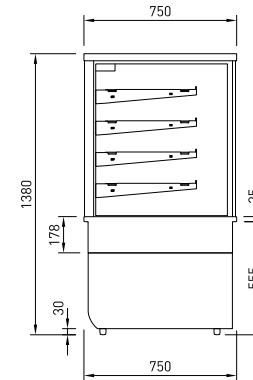
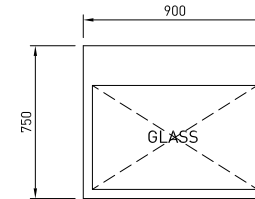


PRODUCT FEATURES

- Deck forced heating
- Single glazed
- Sliding rear doors
- Solid front or sliding front doors
- Four adjustable shelves - flat or angled
- Ticket strips on shelves and base
- Under shelf and canopy LED lights

Maximum shelf load weight 15kg spread evenly

BTGHT9-SD



REAR VIEW

CABINET DIMENSIONS & SPECIFICATIONS

Prior to installation see, installation guidelines, ventilation requirements and drainage options documents

MODEL	CABINET				SHELVING	OPERATING TEMP	SHELF	BASE TRAY	TOTAL FOOD	DISPLAY M ²	INTERNAL VOLUME M ³	FREQUENCY	POWER		CONNECTION ELECTRICAL POWER CORD 2200MM		VOLTAGE	PACKED FOR SHIPPING			
	LENGTH [MM]	DEPTH [MM]	HEIGHT [MM]	WEIGHT [KG]									DEG C	W X D	W X D	100MM UNITS		KW 230V	AMP	NZ/AUS 3 PIN	UK 13 AMP
BTGHT9 BTGHT9-SD	900	750	1380	150	4 + BASE	75-85	790 X 445	840 x 510	168	1.83	0.45	50/60 HZ	1.70	7.4	10 AMP	3 PIN PLUG	220-240V	1000	830	1550	155

BTGHT12 TOWER SERIES HEATED

COSSIGA

BTGHT12

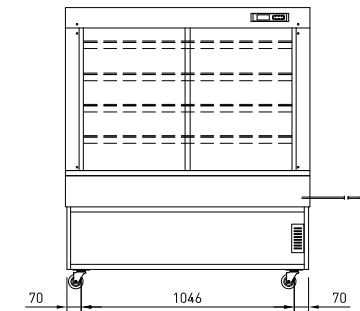
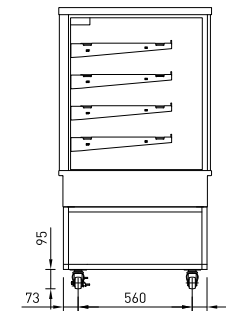
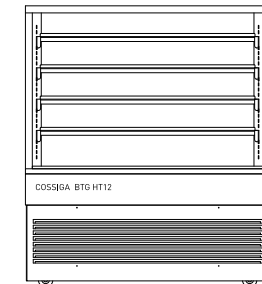
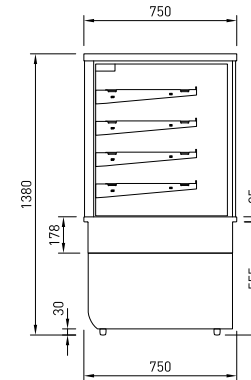
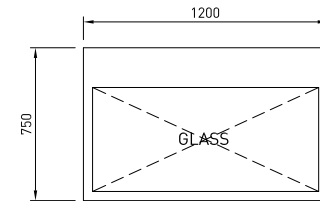


PRODUCT FEATURES

- Deck forced heating
- Single glazed
- Sliding rear doors
- Solid front or sliding front doors
- Four adjustable shelves - flat or angled
- Ticket strips on shelves and base
- Under shelf and canopy LED lights

Maximum shelf load weight 15kg spread evenly

BTGHT12-SD



REAR VIEW

CABINET DIMENSIONS & SPECIFICATIONS

Prior to installation see, installation guidelines, ventilation requirements and drainage options documents

MODEL	CABINET				SHELVING	OPERATING TEMP	SHELF	BASE TRAY	TOTAL FOOD	DISPLAY M ²	INTERNAL VOLUME M ³	FREQUENCY	POWER		CONNECTION ELECTRICAL POWER CORD 2200MM		VOLTAGE	PACKED FOR SHIPPING			
	LENGTH [MM]	DEPTH [MM]	HEIGHT [MM]	WEIGHT [KG]									DEG C	W X D	W X D	100MM UNITS		KW 230V	AMP	NZ/AUS 3 PIN	UK 13 AMP
BTGHT12 BTGHT12-SD	1200	750	1380	182	4 + BASE	75-85	1090 X 445	1140 x 510	255	2.52	0.60	50/60 HZ	2.20	9.6	15 AMP	3 PIN PLUG	220-240V	1300	830	1550	185



AutoCAD



Revit



SketchUp



BTGHT15

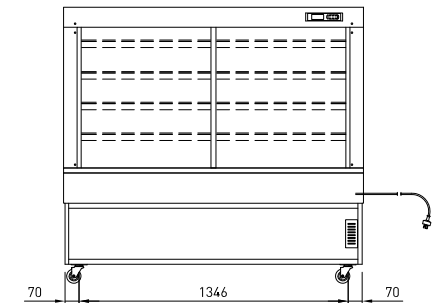
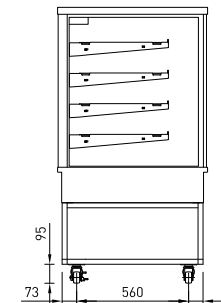
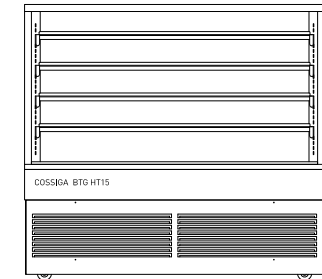
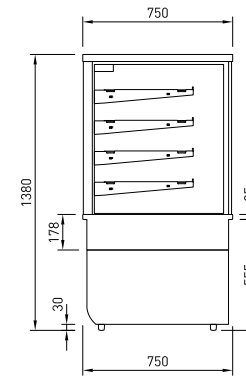
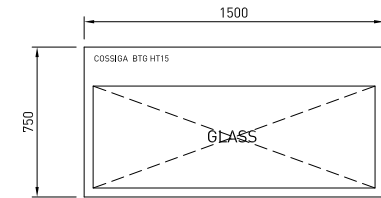


PRODUCT FEATURES

- Deck forced heating
- Single glazed
- Sliding rear doors
- Solid front or sliding front doors
- Four adjustable shelves - flat or angled
- Ticket strips on shelves and base
- Under shelf and canopy LED lights

Maximum shelf load weight 15kg spread evenly

BTGHT15-SD



REAR VIEW

CABINET DIMENSIONS & SPECIFICATIONS

Prior to installation see, installation guidelines, ventilation requirements and drainage options documents

MODEL	CABINET				SHELVING	OPERATING TEMP	SHELF	BASE TRAY	TOTAL FOOD	DISPLAY M ²	INTERNAL VOLUME M ³	FREQUENCY	POWER		CONNECTION ELECTRICAL POWER CORD 2200MM		VOLTAGE	PACKED FOR SHIPPING			
	LENGTH [MM]	DEPTH [MM]	HEIGHT [MM]	WEIGHT [KG]									DEG C	W X D	W X D	100MM UNITS		KW 230V	AMP	NZ/AUS 3 PIN	UK 13 AMP
BTGHT15 BTGHT15-SD	1500	750	1380	214	4 + BASE	75-85	1390 X 445	1440 x 510	355	3.20	0.75	50/60 HZ	2.66	11.6	15 AMP	3 PIN PLUG	220-240V	1600	830	1550	222