

Cake Display Refrigerators

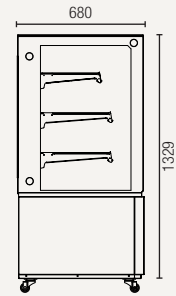
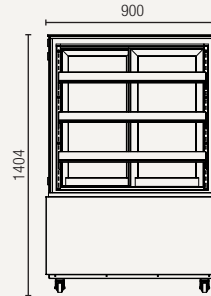
Features:

- Digital temperature display and electronic controller
- Dynamic fan forced cooling system with auto defrosting
- Double layer glass for maximum insulation
- Black stainless steel finish
- Shelf material: frosted glass

- Sliding door for easy access
- LED internal light
- Refrigerant: R290
- Frequency/voltage: 50Hz/230 V
- Ambient temperatures from +16°C to +30°C



CDR309



Gross volume: 390 L

Exterior dimensions in mm: 900w x 680d x 1404h

Number of adjustable shelves: 3

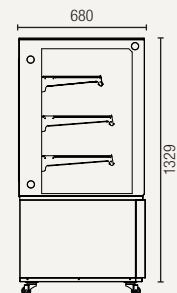
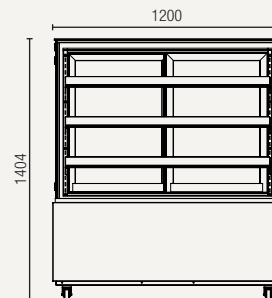
Temperature set range: +2°C to +6°C

Gross/net weight: 192/148 kg

Energy consumption in 24h: 7.105 kWh

\$5,600.00+GST

CDR312



Gross volume: 540 L

Exterior dimensions in mm: 1200w x 680d x 1404h

Number of adjustable shelves: 3

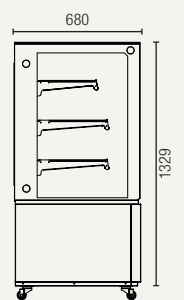
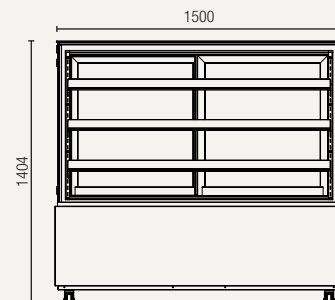
Temperature set range: +2°C to +6°C

Gross/net weight: 229.5/180 kg

Energy consumption in 24h: 8.374 kWh

\$6,600.00+GST

CDR315



Gross volume: 680 L

Exterior dimensions in mm: 1500w x 680d x 1404h

Number of adjustable shelves: 3

Temperature set range: +2°C to +6°C

Gross/net weight: 269.5/211 kg

Energy consumption in 24h: 10.935 kWh

\$7,900.00+GST