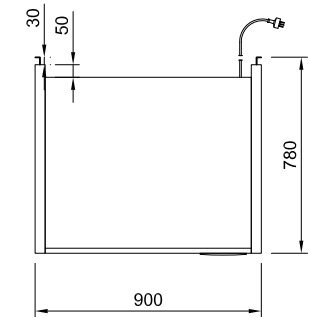
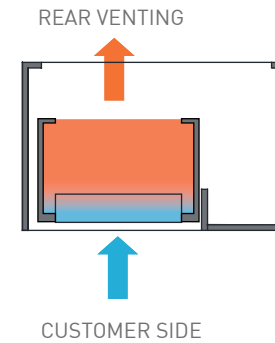
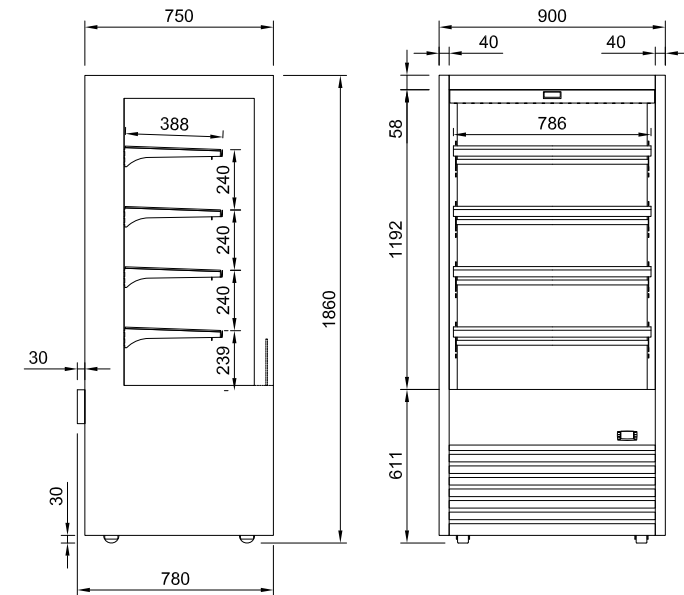




- Stainless steel construction
- Four adjustable shelves
- Ticket strips on shelves
- Shelf mounted air curtains
- Under shelf and canopy LED lights
- Pull down night blind
- Forced air circulation
- Integral condenser
- Removable front grill panel
- Roll in on castors
- Climate class M1
- Hinged front doors - **optional**



Shown with optional frameless hinged acrylic front doors
sold as accessory kit



Drainage System Options

- Plastic bottle - manual empty
- Pump to waste
- Electronic evaporator pan

CABINET DIMENSIONS & SPECIFICATIONS

Prior to installation see, installation guidelines, ventilation requirements and drainage options documents

MODEL	CABINET				SHELVING	OPERATING TEMP	SHELF	BASE TRAY	DISPLAY	REFRIGERANT	FREQUENCY	OPERATING CURRENT	ENERGY CONSUMPTION	CONNECTION		VOLTAGE	PACKED FOR SHIPPING			
	LENGTH [MM]	DEPTH [MM]	HEIGHT [MM]	WEIGHT [KG]										ELECTRICAL POWER CORD 2200MM			LENGTH [MM]	DEPTH [MM]	HEIGHT [MM]	WEIGHT [KG]
DTGOR9	900	780	1860	209	4 + BASE	-1 +5	786 X 386	820x 453	1.63	R290	50/60 HZ	0.84 / 4.0	14.05	3 PIN PLUG	3 PIN PLUG	220-240V	1000	830	2030	219

Maximum shelf load weight 15kg spread evenly



AutoCAD



Revit



SketchUp

