

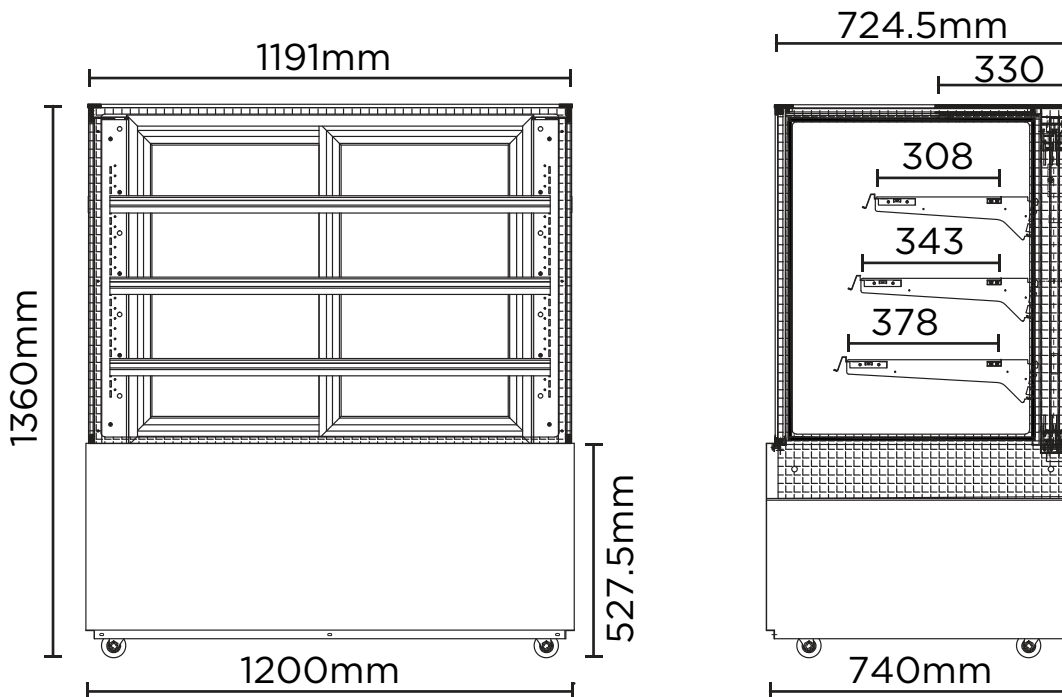
Hot Food Display 1200mm - 4 Tier

| Food Displays



Hot Food Display 1200mm - 4 Tier

| Food Displays



SPECIFICATIONS

Part Number	3736305
Volume	542L
Unit Weight	204kg
Packaged Weight	214kg
Adjustable Temp. Range	+50°C to +70°C
Refrigeration Capacity	1000W
Rated Current	9.9A
Electrical Voltage	220-240V
Frequency	50Hz
Power Supply	Single Phase
Power Plug	1 x 15A
Plug Location	Rear, Bottom Right
Internal Light	Fluorescent
No. of Doors	2

Colour Temperature	Warm
Door Type	Glass
Door Glass Type	Single Glazed
Door Style	Sliding
Self-Closing Door	No
No. of Shelves Incl. Base Per Door	4
Shelves Type	Adjustable
Shelf Dimensions	1117(w) x 307(d), 1117(w) x 342(d), 1117(w) x 377(d) mm
Temp. Controller	Digital
Castors	Yes
Warranty	5 Years Bromic Extra Care Warranty - Parts and Labour

DIMENSIONS

	External (mm)
Width	1200
Depth	740
Height	1360
	Internal (mm)
Width	1174
Depth	647
Height	828
	Packaged (mm)
Width	1300
Depth	850
Height	1510