

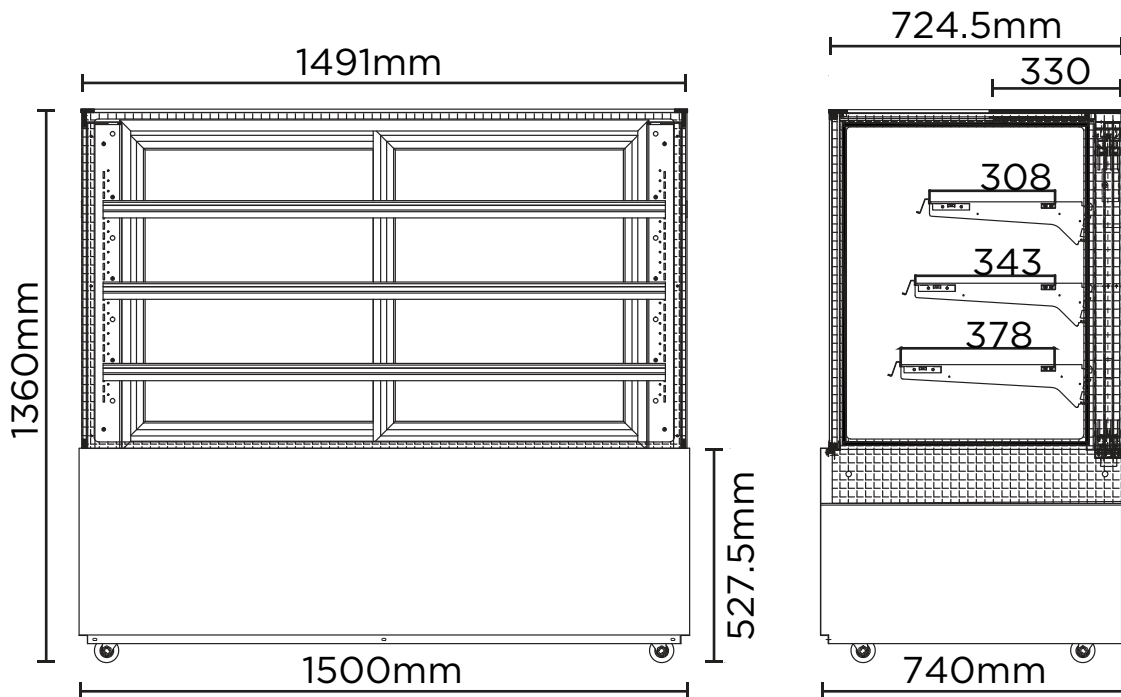
## Ambient Food Display 1500mm - 4 Tier

| Food Displays



# 4 Tier Ambient Food Display 1500mm

| Food Displays



<b>SPECIFICATIONS</b>	<b>DIMENSIONS</b>
-----------------------	-------------------

Part Number Volume Unit Weight Packaged Weight Rated Current Electrical Voltage Frequency Power Supply Power Plug Plug Location Internal Light	3736302 686L 206kg 216kg 0.35A 220-240V 50Hz Single Phase 1 x 10A Rear, Bottom Right LED	No. of Doors Door Type Door Glass Type Door Style Self-Closing Door No. of Shelves Incl. Base Per Door Shelves Type Shelf Dimensions Castors Warranty	2 Glass Single Glazed Sliding No 4 Adjustable 1417(w) x 307(d), 1417(w) x 342(d), 1417(w) x 377(d) mm Yes 5 Years Bromic Extra Care Warranty - Parts and Labour	<b>External (mm)</b>  Width 1500 Depth 740 Height 1360  <b>Internal (mm)</b>  Width 1474 Depth 647 Height 828  <b>Packaged (mm)</b>  Width 1600 Depth 850 Height 1510
--	--	--	--	---