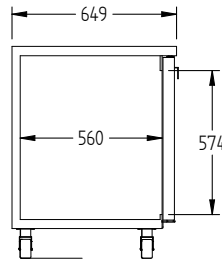
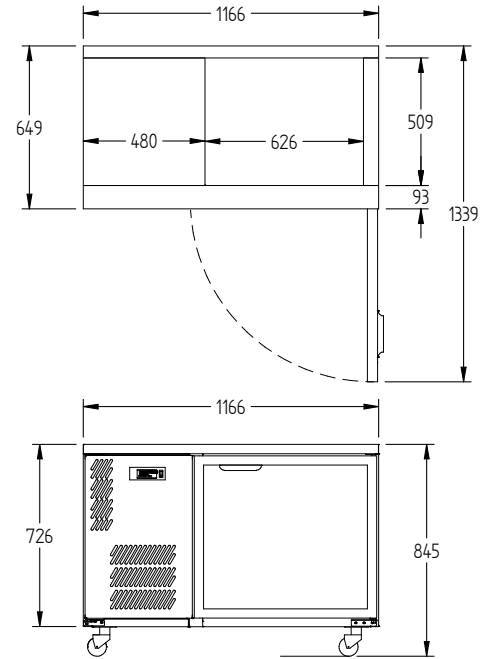


GC15UGD



CATEGORY	GENERAL COUNTERS & BACK BARS
RANGE	Glass Chiller
UNIT	REFRIGERATOR
TYPE	SELF CONTAINED
DOORS	1



SPECIFICATIONS

CAPACITY - BASKET/DOOR (NOT INCLUDED)(500 X 500 BASKETS)

4 Baskets

TEMPERATURE

1°C / 4°C

SHELF LOAD

YES

DIMENSIONS - W X D X H (ON CASTORS) MM

1166 W x 649 D x 845 H

WEIGHT UNPACKED (KG)

100

STANDARD INCLUSIONS ***

DOOR TYPE

Standard: GD (Glass Door)

FINISH (INTERIOR AND EXTERIOR EXCLUDING REAR AND UNDER)

SS (Stainless Steel)

SHELVES/DOOR - SHELF LOAD MODEL ONLY

2

ELECTRICAL

POWER SUPPLY

10 amp

FRIDGE MODELS

RUNNING AMPS

3.6

GAS TYPE

REFRIGERANT

FRIDGE MODELS

R134a

*** For **OPTIONS** refer to the current Williams Price Guide