

**600mm WIDE RESTAURANT SERIES
GRIDDLE WITH SPACE SAVER OVEN**

The Garland Heavy Duty Restaurant Series is a commercial range that has been engineered for unmatched performance and durability. All burners in the range are made of cast-iron for better heat retention and lasting durability. Featuring stainless steel construction with a large front 127mm 'plate rail' and backguard that matches the other Restaurant Series units giving a sleek clean finish.

Item GF24-G24L is a 600mm griddle range model with Space Saver Oven.

Large easy-to-use control knobs sit atop the fully porcelain interior space saver oven that accepts full sized sheet pans, has a 33.7MJ 'H' burner with flame failure and a strong adjustable door.



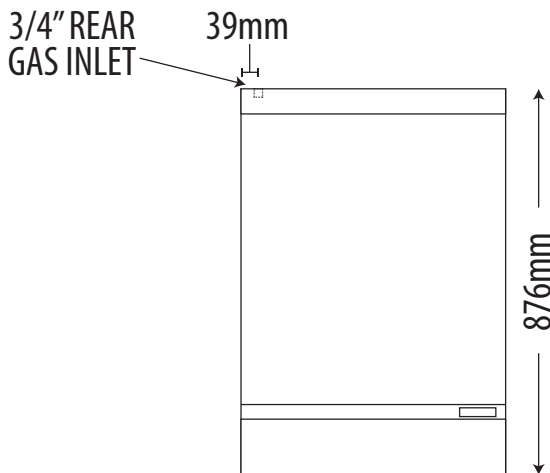
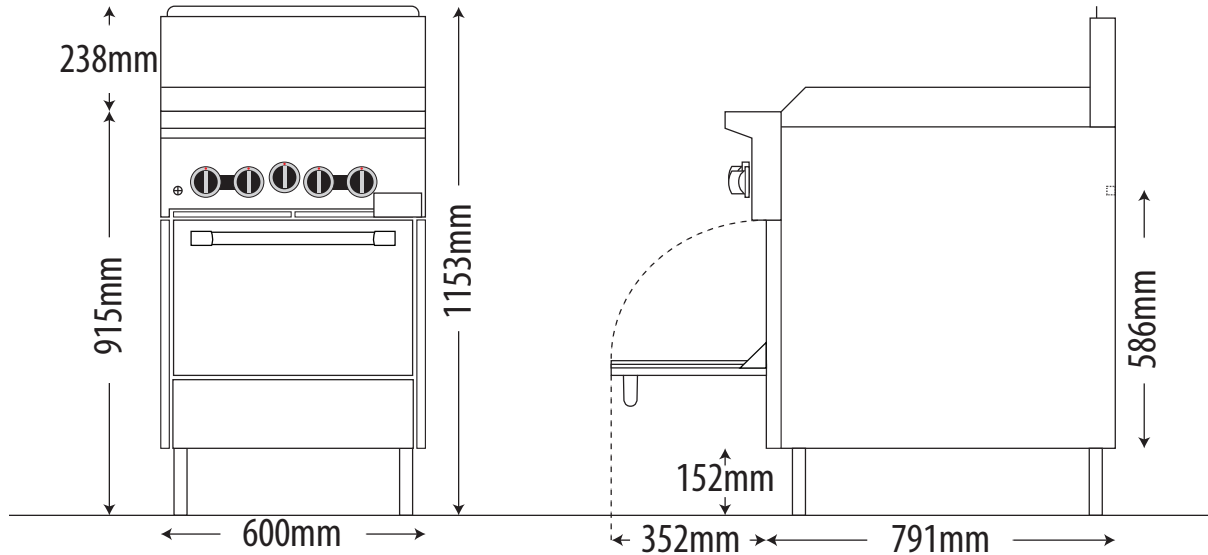
Premium 15mm thick griddle with powerful cast iron 'H' burners for even heat distribution. Large 686mm deep work surface.

STANDARD FEATURES

- Piezo ignition for all concealed burners
- 108mm wide grease trough
- Gas regulator
- 152mm Adjustable stainless steel legs
- Two oven racks included as standard
- Available in Natural or Propane Gas

OPTIONAL FEATURES

- Fixed Height Castors - GF-CSTR (Non Brake) GF-CSTRB (brake)
- Grooved Griddle in 300mm sections - Specify -GRV
- Electronic ignition - Specify GFE24 (240V, 1P, 10A lead & plug not included)
- Flexible gas hose with quick disconnect and restraining kit - 432018-1200HK


DIMENSIONS

External Dimension: 600W x 876D x 1153H mm

Working height : 915mm

Oven Interior : 508W x 660D x 330H mm

Griddle : 600W x 585D mm

Combustible wall clearance: Side: 356mm, Rear: 152mm

TECHNICAL DATA

Gas Type: Natural or Propane

Total Output:	Natural	Propane
	71.7MJ	64MJ

Burner Ratings:	Natural	Propane
Griddle per 300mm	19MJ	18MJ
Oven	33.7MJ	28MJ

Gas Connection: 3/4"

SHIPPING DATA

Shipping Weight: 166kg

Shipping Dimensions: 737W x 1041D x 1017H mm

AGA APPROVAL NUMBER

AGA 7455 G

SPECIFICATIONS ARE SUBJECT TO CHANGE WITHOUT NOTICE.

**INDUSTRY
KITCHENS**

www.industrykitchens.com.au 1800 611 058