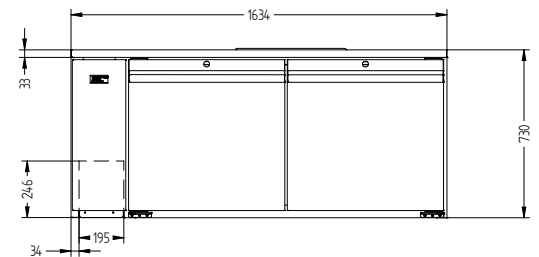
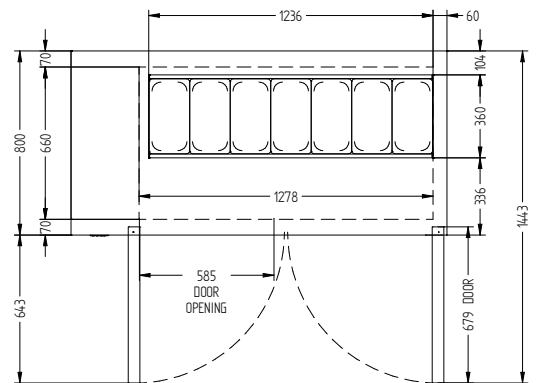
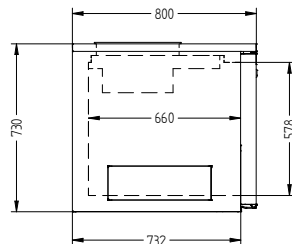
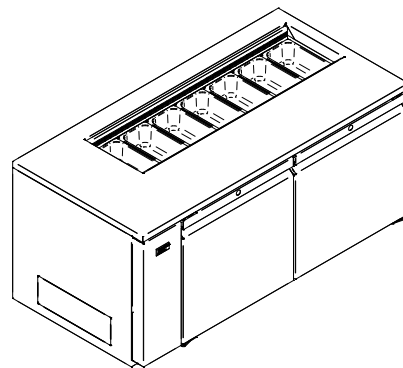


HE2RSSBA



CATEGORY	FOODSERVICE UPRIGHTS
RANGE	Emerald
UNIT	REFRIGERATOR
TYPE	REMOTE
DOORS	2



SPECIFICATIONS

CAPACITY LITRES	610
TEMPERATURE	1°C / 4°C
DIMENSIONS - W X D X H (ON 150 MM H LEGS)	1634 W x 800 D x 880 H
WEIGHT UNPACKED (KG)	150

STANDARD INCLUSIONS ***

DOOR TYPE	Standard: SD (Solid Door) Optional: DR (Drawer)
FINISH (INTERIOR AND EXTERIOR EXCLUDING REAR AND UNDER)	SS (Stainless Steel)
SHELVES/DOOR	1
BLOWN AIRWELL (100MM DEEP 1/3 PANS INCLUDED)	7 X 1/3 PANS

ELECTRICAL

POWER SUPPLY	10 amp	
FRIDGE MODELS	RUNNING AMPS	0.5

GAS TYPE

REFRIGERANT	FRIDGE MODELS	R404a
REFRIGERATION WATTAGES FOR REMOTE UNITS		
FRIDGE MODELS - SOLID DOOR BA		750 @ -10°C SST

*** For **OPTIONS** refer to the current Williams Price Guide