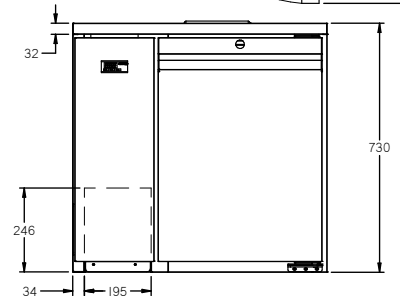
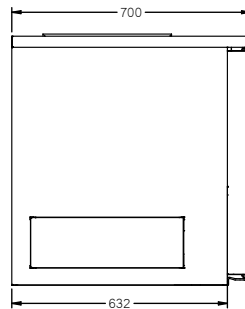
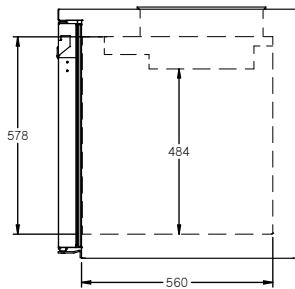
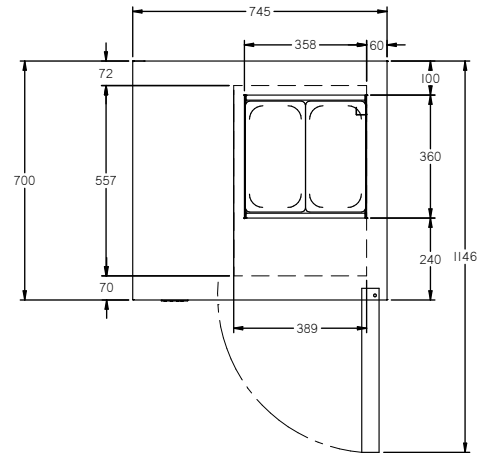
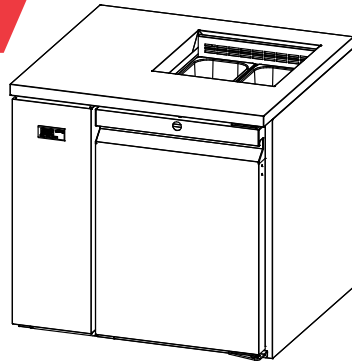


# HO1RSSBA



CATEGORY	FOODSERVICE COUNTERS
RANGE	<b>Opal</b>
UNIT	REFRIGERATOR
TYPE	REMOTE
DOORS	1



## SPECIFICATIONS

CAPACITY LITRES	190
TEMPERATURE	1°C / 4°C
DIMENSIONS - W X D X H (ON 150 MM H LEGS)	745 W x 700 D x 880 H
WEIGHT UNPACKED (KG)	90

## STANDARD INCLUSIONS \*\*\*

DOOR TYPE	Standard: SD (Solid Door)    Optional: DR (Drawer)
FINISH (INTERIOR AND EXTERIOR EXCLUDING REAR AND UNDER)	SS (Stainless Steel)
SHELVES/DOOR	1
BLOWN AIRWELL (100MM DEEP 1/3 PANS INCLUDED)	2 X 1/3 PANS

## ELECTRICAL

POWER SUPPLY	10 amp
POWER CABLE LENGTH (METRES)	2
RUNNING AMPS	0.4

## GAS TYPE

REFRIGERANT	R404a
-------------	-------

## REFRIGERATION WATTAGES FOR REMOTE UNITS

FRIDGE - SOLID DOOR BA	430 @ -10°C SST
------------------------	-----------------

\*\*\* For **OPTIONS** refer to the current Williams Price Guide