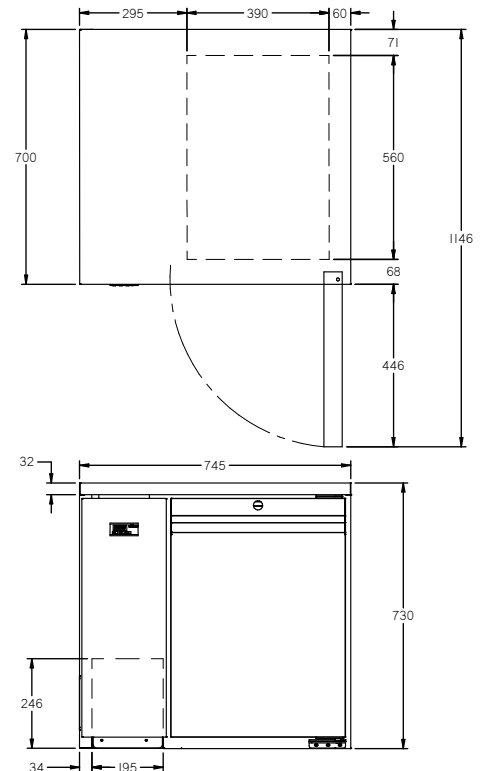
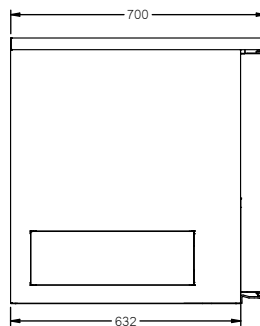


# H01RSS



CATEGORY	FOODSERVICE COUNTERS
RANGE	<b>Opal</b>
UNIT	REFRIGERATOR
TYPE	REMOTE
DOORS	1



## SPECIFICATIONS

CAPACITY LITRES	190
TEMPERATURE	1°C / 4°C
DIMENSIONS - W X D X H (ON 150 MM H LEGS)	745 W x 700 D x 880 H
WEIGHT UNPACKED (KG)	90

## STANDARD INCLUSIONS \*\*\*

DOOR TYPE	Standard: SD (Solid Door) Optional: DR (Drawer), PT (Pass Through)
FINISH (INTERIOR AND EXTERIOR EXCLUDING REAR AND UNDER)	SS (Stainless Steel)
SHELVES/DOOR	2

## ELECTRICAL

POWER SUPPLY	10 amp
POWER CABLE LENGTH (METRES)	2
RUNNING AMPS	0.4

## GAS TYPE

REFRIGERANT	R404a
-------------	-------

## REFRIGERATION WATTAGES FOR REMOTE UNITS

FRIDGE - SOLID DOOR	280 @ -5°C SST
---------------------	----------------

\*\*\* For **OPTIONS** refer to the current Williams Price Guide