

SELF CONTAINED

BV1300 W VS

DOUBLE GLASS DOOR CHILLER



ENHANCED ENERGY EFFICIENCY
& VERSATILITY

HUSSMANN
By **austral**

INVERTER

**PLUG &
PLAY**



*Black Internals supplied as standard

PRODUCT BENEFITS

- Ergonomic design for easy product access
- Adjustable shelving
- Visual impact from energy efficient LED lighting
- Low Total Energy Consumption to save on total energy costs
- Ensured product temperature compliance tested (GEMS/ EEI)
- High quality cabinet construction
- Small footprint with maximised display area
- Environmentally sustainable using natural, low GWP refrigerant

STANDARD FEATURES

- LED lighting
- Digital controller display fitted
- 5 display levels plus base
- Powder coated galvanized steel construction
- Self-contained, plug and play installation
- Ventilated condenser
- Lockable castors
- Automatic condensate removal
- Maximum operating temperature 40°C
- Bottom mounted refrigeration system
- Colour: Black internal, Black external
- Refrigerant: R290
- Cord Length 2100mm
- Electrical 220-240V 10A

FRAMELESS GLASS DOOR

- Self-closing, hinged swing door
- Double glazed, Low-E, argon filled
- Toughened safety glass

CUSTOMISATIONS

INTEGRATED TECHNOLOGY SOLUTIONS

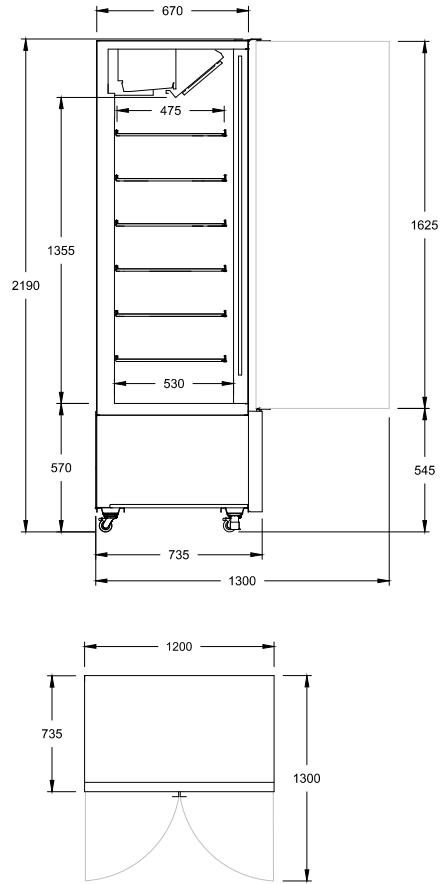
- Video rails
- Electronic shelf labels
- IoT sensor integration

SHELVING & BASE SHELF

- Reinforced shelving to suit varied product weight

OTHER

- Custom decals available
- Additional colours available - factory option
- Adjustable feet optional



TECHNICAL DATA				
Code	BV520 W VS	BV770 W VS	BV1300 W VS	BV1600 W VS
Total Length* (mm)	680	800	1200	1600
Height (mm)	2190	2190	2190	2190
Depth (mm)	615	700	735	735
Net Volume (L)	467	678	1088	1362
Display Area (m2)	0.96	1.21	2.4	3.39
Amperage (amps)	10	10	10	10
Net Weight (kg)	111	131	188	230
Gross Weight (kg)	123	145	201	249

* Total Length Includes End Walls

CUSTOMISED CORPORATE OPTIONS AVAILABLE ON REQUEST

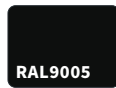


Additional Information

All Dimensions shown in Millimetres (mm) unless otherwise stated. Dimensions and features are subject to change. Please obtain current technical information prior to order confirmation.

NOTE: We reserve the right to change or revise specifications and product design in connection with any feature of our products. Such changes do not entitle the buyer to corresponding changes, improvements, additions or replacements for equipment previously sold or Shipped.

AVAILABLE COLOURS



TEMPERATURE CLASS

3M1

(-1 °C to +5 °C)



Australia Head Office
 66 Glendenning Road Glendenning, NSW 2761 Australia
 ph. +612 8805 0400
 w. hussmann.com.au

