

BAKER

REFRIGERATION

SVABA 150/200 DUAL TEMPERATURE ISLAND CASE



DUAL
TEMPERATURE



R290



PLUG-IN

FEATURES INCLUDE

- Electronic temperature control
- LED lighting
- Automatic defrost
- Slide lids
- High efficiency fan motors



Scan here to check for
Energy Efficiency Rebates
in your state.



PLUG-IN POWER



Product image not to scale

1800 423 626 | ajbaker.com.au | email@ajbaker.com.au

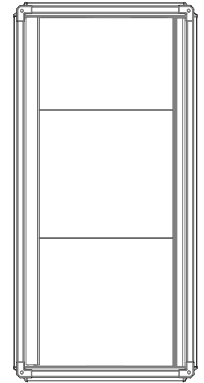
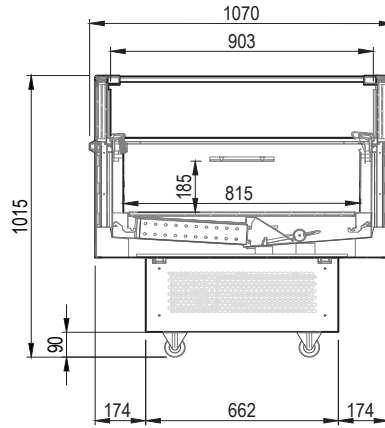
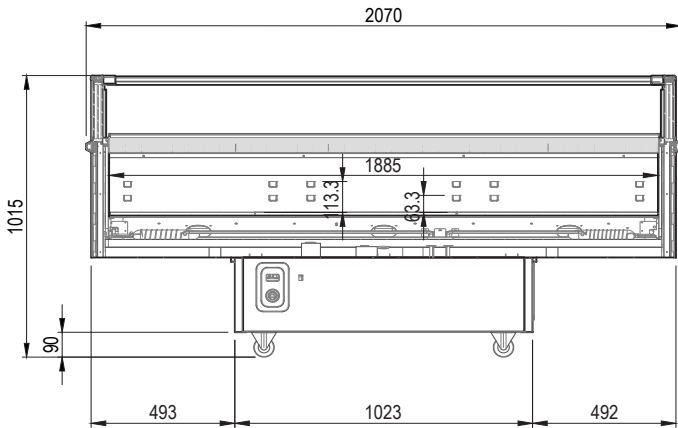
RTA: AU10320



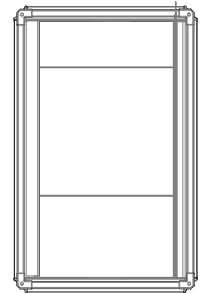
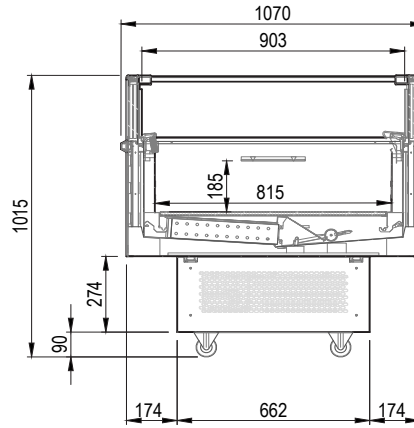
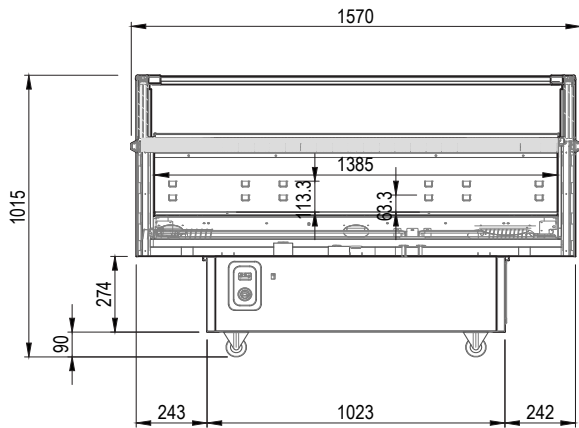
REFRIGERATION

IARP SVABA 150/200

SVABA 200



SVABA 150



SVABA 150/200	150	200
OPERATING TEMP (°C)	-25 / +5	
REFRIGERATION	Ventilated / R290	
DEFROST	Automatic	
POWER SUPPLY	240V / 1Ph / 10 Amp plug	
OPERATING CURRENT (Amp)	3.52	3.67
NOMINAL POWER (W)	810	845
ENERGY CONSUMPTION (kWh/24h)	13.0 (BT Mode) & 3.8 (TN Mode)	18.7 (BT Mode) & 4.7 (TN Mode)
TOTAL CAPACITY (ltr)	170	231
LENGTH (mm)	1570	2070
HEIGHT INCLUDING CASTORS (mm)	1015	1015
DEPTH INCLUDING BUMPERS (mm)	1070	1070
WEIGHT WITHOUT PACKAGING (kg)	170	200
WEIGHT WITH PACKAGING (kg)	200	262

* Climate class 3 (25 °C, 60% R/H)

