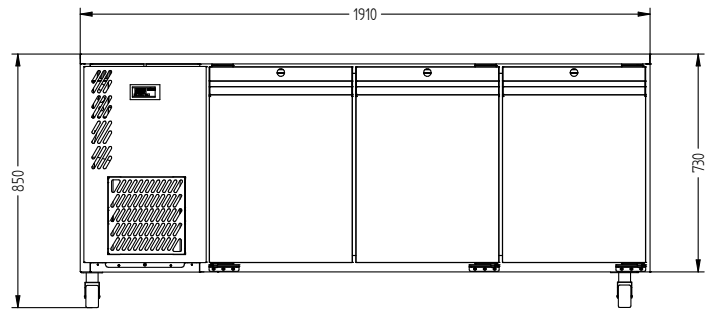
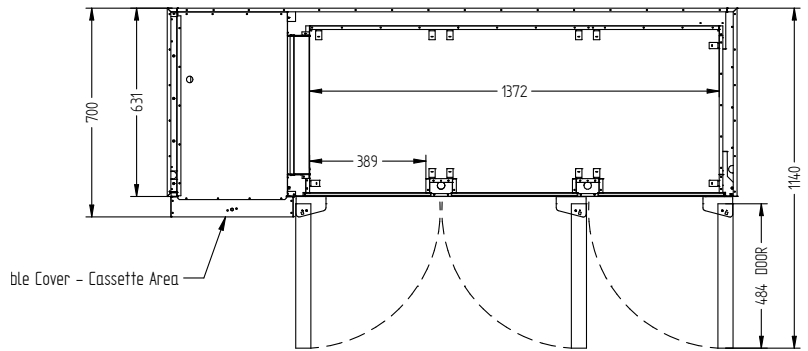
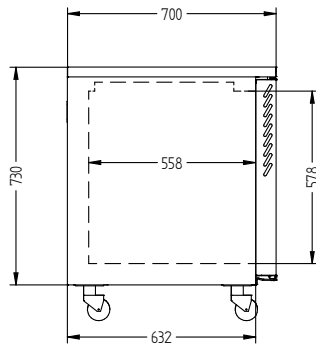


LO3USS



CATEGORY	FOODSERVICE COUNTERS
RANGE	Opal
UNIT	FREEZER
TYPE	SELF CONTAINED
DOORS	3



SPECIFICATIONS

CAPACITY LITRES	510
TEMPERATURE	-18°C / -22°C
FRONT BREATHING	YES
DIMENSIONS - W X D X H (ON 120 MM H CASTORS) MM	1910 W x 700 D x 850 H
WEIGHT UNPACKED (KG)	160

STANDARD INCLUSIONS ***

DOOR TYPE	Standard: SD (Solid Door) Optional: DR (Drawer)
FINISH (INTERIOR AND EXTERIOR EXCLUDING REAR AND UNDER)	SS (Stainless Steel)
SHELVES/DOOR (ADJUSTABLE STRIPS AND CLIPS)	2

GAS TYPE

REFRIGERANT	R404a
-------------	-------

ELECTRICAL

POWER SUPPLY	10 amp
POWER CABLE LENGTH (METRES)	2
RUNNING AMPS	4.2

PERFORMANCE

KWH/24HR READING	11.2
TEST STANDARD	EN 16825 (Professional)
TEST CONDITIONS	4 L1
AMBIENT RATING	43°C/65%

*** For **OPTIONS** refer to the current Williams Price Guide