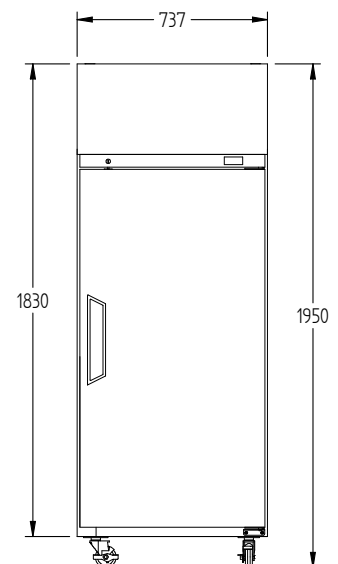
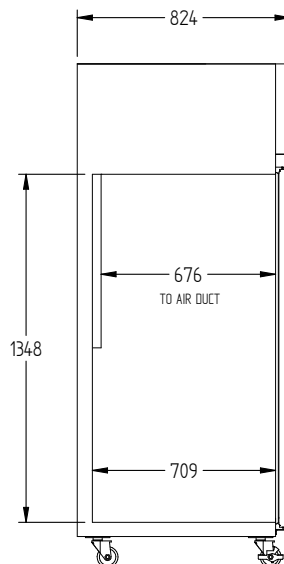
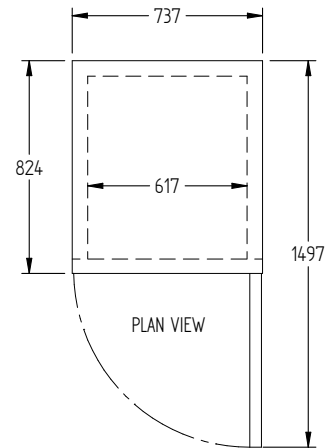


LTG1SS



| | |
|----------|----------------------------|
| CATEGORY | TOPAZ CAFÉ RANGE |
| RANGE | Topaz Top Mount |
| UNIT | FREEZER |
| TYPE | SELF CONTAINED |
| DOORS | 1 |



SPECIFICATIONS

| | |
|---|------------------------|
| TEMPERATURE | -18°C / -22°C |
| CAPACITY LITRES | 550 |
| DIMENSIONS - W X D X H MM | 737 W x 824 D x 1950 H |
| WEIGHT UNPACKED (KG) | 170 |
| STANDARD INCLUSIONS* | |
| DOOR TYPE | S (SOLID DOOR) |
| FINISH (INTERIOR AND EXTERIOR EXCLUDING REAR AND UNDER) | S (STAINLESS STEEL) |
| SHELVES/DOOR | 4 |
| ELECTRICAL | |
| POWER SUPPLY | 10amp |
| RUNNING AMPS | 3.3 |
| GAS TYPE | |
| REFRIGERANT | R404a |

*** For **OPTIONS** refer to the current Williams Price Guide