

DROP-IN DOUBLE BURNER (HOB) COOKTOP

Side-to-Side with Standard Controls

MCD2502S & MCD3502S

602004

605004

PROJECT

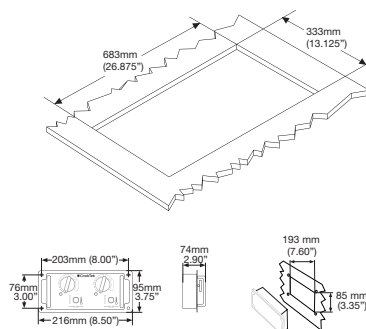
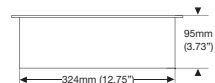
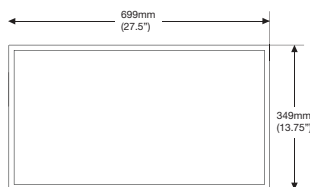
ITEM

QUANTITY

DATE

TECHNICAL DATA:

Dimensions (W x D x H):	699 x 349 x 95	
Cutout (W x D):	683 x 333	
Total Weight:	13.6Kg	
Wall Clearance:	51mm (152mm below)	
Max Ambient Temperature:	50°C	
Model:	MCD2502S	MCD3502S
Total Connected Load:	4.8kW	7.0kW
Volts (Single Phase):	220-240 V	220-240 V
Amps	20A	30A



The CookTek® Drop-in Double Burner (Hob) Cooktop Side-to-Side with Standard Controls boasts a drop-in countertop design with a stainless steel and aluminum housing, and a high temperature glass- ceramic top intended for commercial kitchens and restaurants. An automatic shut-off feature, integral cooling fan, and self-diagnosing microprocessor allow for a safe kitchen environment. Each unit is equipped with 22 temperature settings and 20 precise power settings to ensure maximum and efficient heating of any induction-compatible pan.*

FEATURES:

- Drop-in design with stainless steel and aluminum housing
- High-quality internal electronics and heavy gauge Litz wire
- Easy-to-clean high-temperature glass-ceramic top
- Individual controls for each burner (hob) for independent operation and functionality
- LED display
- Automatic pan detection allows for instant energy transmission to pan
- Even heat distribution across bottom of cookware
- Programmed with 22 temperature settings and 20 power cook settings
- Automatic shut-off feature prohibits overheating
- Temperature range from 29°C - 260°C
- Microprocessor monitors vital components to check for overheating, power supply issues, and more
- Integral fan keeps internal components cool
- Available in 20A & 30A

*Induction cooking requires the use of induction-compatible (i.e. magnetic) cookware.

CERTIFICATIONS



Due to continuous product research and development, the information contained herein is subject to change without notice.

Revision: January 14, 2020 1:02 PM

www.stoddart.com.au

www.stoddart.co.nz