

MIRABELLA 7 H R290 (COD. E1429M0100)



Negative - static scooping display cabinet

Technical data

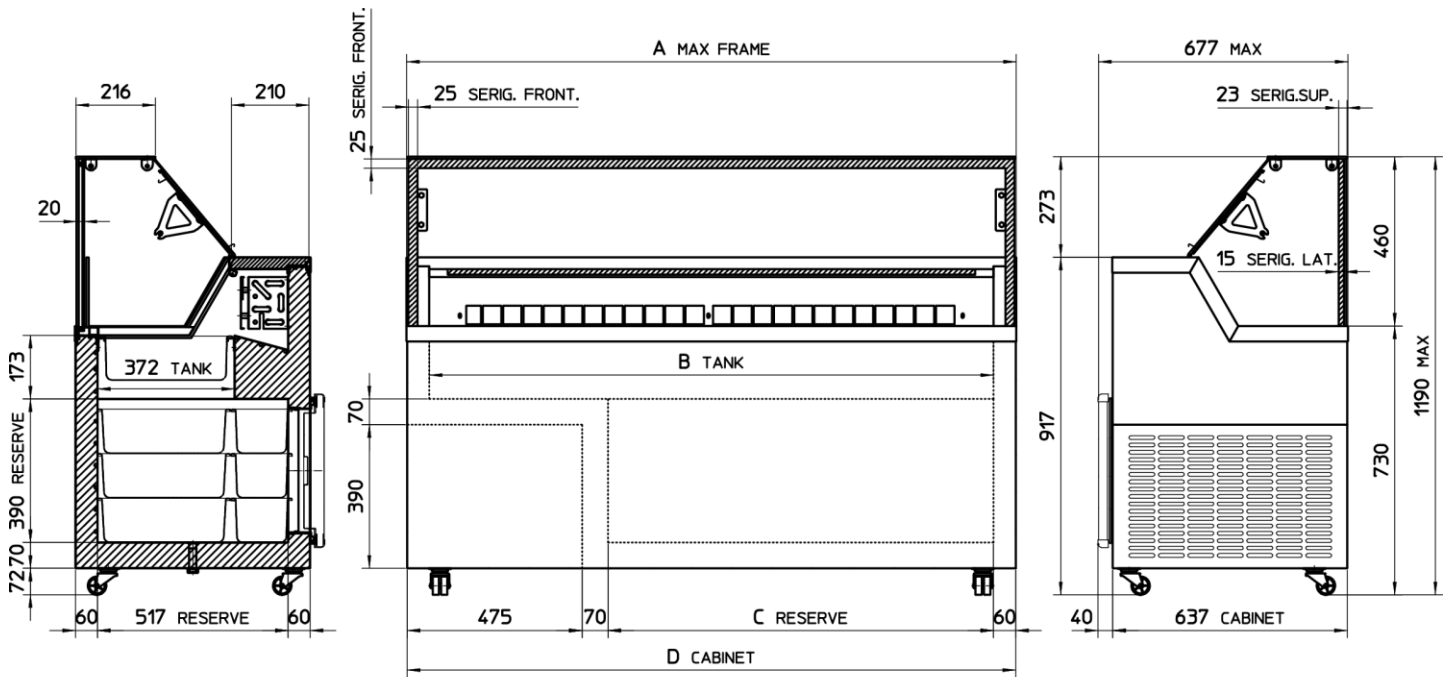
Temperature	-5°C -20°C
Voltage and Frequency	230 V~ 50 Hz
Gas	R290
Net dimension	1340 x 677 x 1190 mm (l x p x h)
Packed dimension	1420 x 740 x 1290 mm (l x p x h)
Gross capacity	329 l
Net capacity	223 l
Gross weight	145.00 Kg
Net weight	124.00 Kg
Heat insulation	Rigid polyurethane foam "HCFC/CFC/HFC" free
External cabinet	Gray plasticised steel sheet
Inner tank	Grey plasticised steel sheet
Frame	Black plastic
Glass	Upper plate glazed cabinet heated
Side/back grid - colour	Gray plasticised steel sheet
absorbed power	708 W
Power consumption (24h)	13,52 kWh/24h
Condensator	Wire and tube - maintenance free with powered fan
Evaporator	Packed static evaporation system (finned)
Climatic class	7 (35°C-70%RH) L1
Plug	European - Angular Plug
Thermometer/Thermostat	Electronic
Defrosting	Automatic with hot gas
Standard equipment	Separate reserve accessible via a door - 4 wheels - internal LED
Optional	Stainless steel containers - Portions washing - Upper glazed cabinet set -Stick holder set - Corner coverage
Brand	FRAMEC
Producer brand	Mondial Framec

MIRABELLA 7 H R290 (COD. E1429M0100)



Layout

Negative - static scooping display cabinet



QUOTA	MIRABELLA 6 C	MIRABELLA 7 C	MIRABELLA 9 C
A	1190	1340	1655
B	1067	1217	1532
C	582	732	1047
D	1187	1337	1652

MIRABELLA H
S_46812

Updated on
07/09/2020

MIRABELLA 7 H R290 (COD. E1429M0100)



Negative - static scooping display cabinet

Spare parts list

Ref.	Description	Code
1	WATER OUTLET CAP VT-ICE CREAM CABINET GREY	3420499581000
2	THERMOSTAT DIG.EV3B24 EVCO MIRABELLA 6/7/9 HG R290	1188280
3	POWER SUPPLY LED 24V REF.MW	1171020
4	RELAY 66.82.8.230.0303 FINDER ATEX	1142014
5	NTC L=2000 DIGITAL THERMOSTAT PROBE PVC	1185052
6	NTC L=2000 DIGITAL THERMOSTAT PROBE	1185050
7	ACC.SET.NEU2178U 220-240V 50HZ CSCR	1147641
8	COMP.EMBRACO NEU2178U 220-240V 50HZ CSCR R290	4106178
9	MOTOR FAN ELECTRONIC BRACKET H84	4121154
10	FAN 254X27° PRESS ALUMINUM	4122021
11	BRACKET CONDENSER BUNDY HOLDER	1722340
12	WIRE CONDENSER BUNDY 8T 8R KING SIZE	4111056
13	FILTER XH9 ENTRY 5 OUT 2.75 GR20	3141032
14	TANK WATHER 280X110X80H	1722791
15	SOLENOID VALVE	1185087
16	WHEEL 50/2/NP1 PLATE H75	5623007
17	EVAPORATOR MIRABELLA 7 R290	4132164
18	EVAPORATOR GRID MIRABELLA 7	8522191
19	WORKING TABLE MIRABELLA 7 R290 WITHOUT LED	8424068F
20	LED LAMP 22W L1000	1112117
21	FRONTAL GLASS MIRABELLA 7 H	1751638
22	COMPLETE RIGHT GLASS MIRABELLA 6 H	1751647
23	COMPLETE LEFT GLASS MIRABELLA 6 H	1751648
24	UPPER GLASS MIRABELLA 7 H	1751643
25	BRACKET UPPER RIGHT GLASS MIRABELLA H	8530536
26	BRACKET UPPER LEFTT GLASS MIRABELLA H	8530537
27	SCREW M6X15	5602005
28	SCREW M4X10	3801212758000
29	ASS.FLAP MIRABELLA 7	9903895-01F
30	ABS GLASS BRACKET F. X7/E	4400516158000
31	HANDLE PROFILE 997680 MIRABELLA 7	2105641
32	RESERVE BAY DOOR COPMLETE	8959591F
33	UPPER COMPLETE HINGE BLACK/9005	1722798
34	LOWER COMPLETE HINGE BLACK/9005	1722799
35	GASKET ICE CREAM CABINET GREY	4400710106000
36	UPPER PROFILE STOP DOOR MIRABELLA 7	8530548
37	TRANSFORM.262VA 230/15/20	1187025
38	REAR+SIDE GRID MIRABELLA 6/7/9 GREY LPL	8522186

* Price list without VAT. The prices of the accessories set are to be considered only if they are sold with the relevant compressors

The manufacturer will reserve the right to make any modification without prior notice.

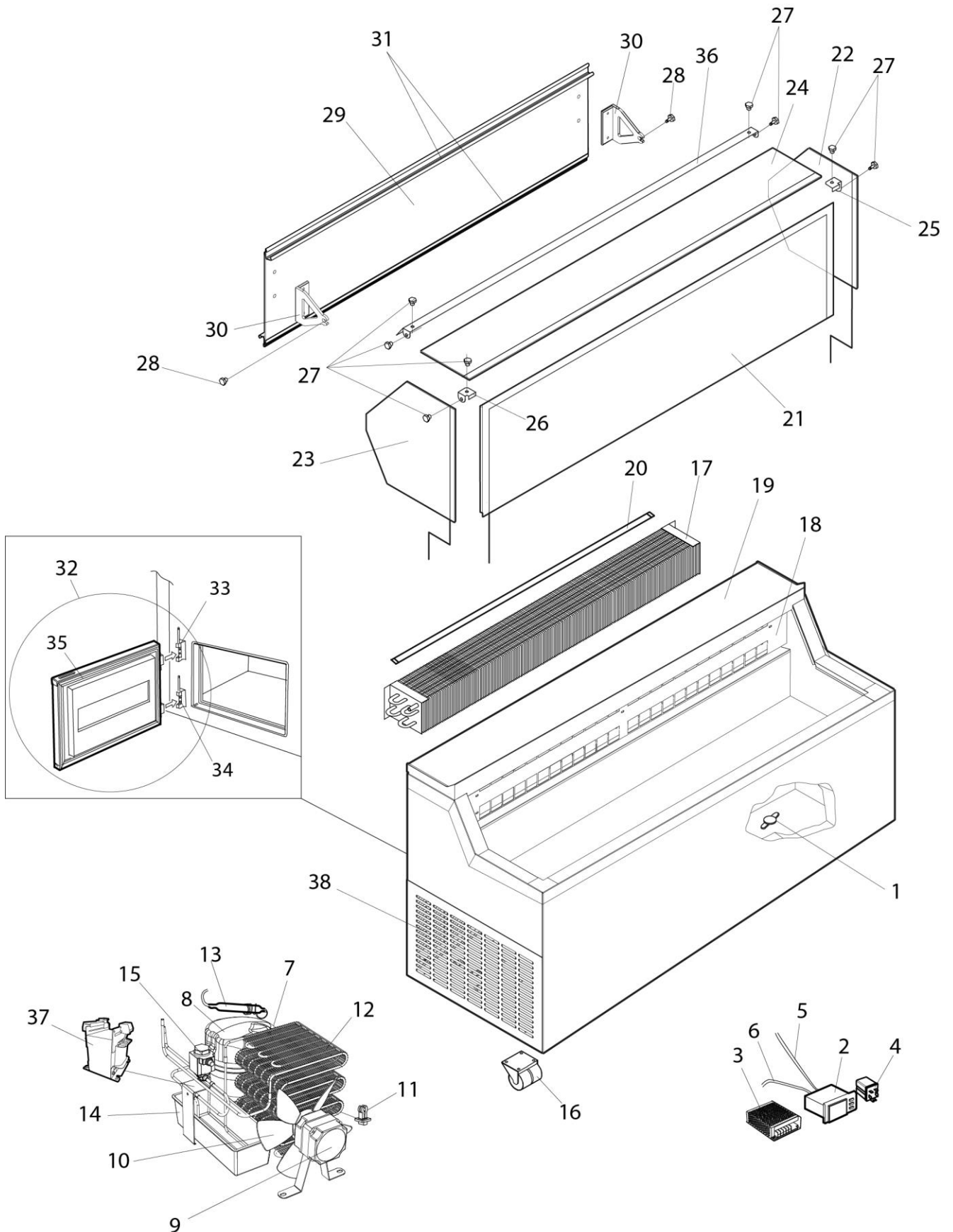
Updated on
07/09/2020

MIRABELLA 7 H R290 (COD. E1429M0100)



Negative - static scooping display cabinet

Spare parts drawing



Updated on
07/09/2020

**MIRABELLA 7 H R290
(COD. E1429M0100)**



Image

Negative - static scooping display cabinet



Updated on
07/09/2020