



Goldstein

INDUCTION COOKTOPS

PEB36i

Standard features and benefits



- 3.5 kW round induction zones
- Minimum functional pan diameter - 120mm
- Automatic pan detection and automatic switch off when the pan is removed
- Automatic power adjustment when the surrounding temperature rises too high or in case of empty pan heating to prevent overheating
- 4 mm thick SCHOTT Ceran glass cooking surface for energy efficiency and exceptional performance
- Modular induction zones sections for easy maintenance
- Precise temperature control for each induction burner section with infinite control knob
- Heating ON indicator lights
- If there's an issue, the LED light will blink error codes, helping diagnose and fix minor problems
- Internal cooling fan to keep internal electronics cool
- Stainless steel construction
- Adjustable height non-slip feet, ensuring a secure and stable position

Other options

- Bench mounted
- Stand with undershelf
- Cupboard stand



MIDDLEBY GOLDSTEIN

1800 013 123 | +61 2 9604 7333
sales@middleby.com.au
middleby.com.au

VIC - TAS - 47 Stubbs Street, Kensington VIC 3031
QLD - U12, 210 Queensport Rd Nth, Murarrie QLD 4172
WA - U2, 9 Meares Way, Canning Vale WA 6155

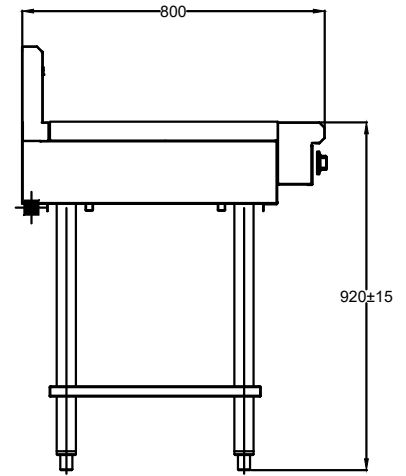
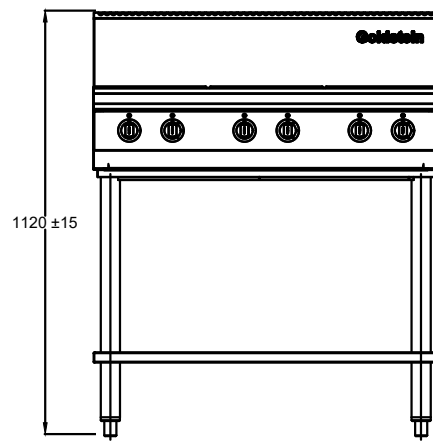
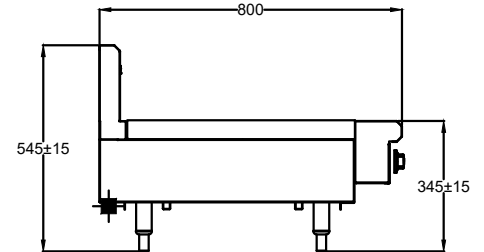
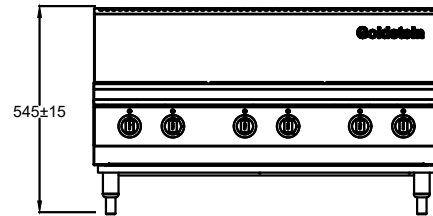
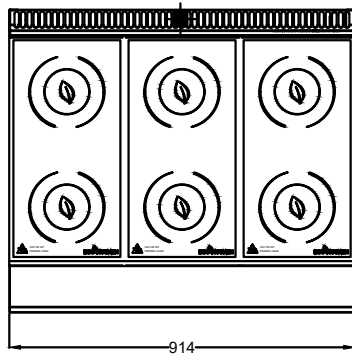
**HEAD OFFICE
AND MANUFACTURING PLANT**
211-217 Woodpark Road, Smithfield NSW 2164

v1_2024



PEB36i

INDUCTION COOKTOPS



SPECIFICATIONS

Dimensions (WxDxH)	bench mounted	914 x 800 x 545 mm
	on stand	914 x 800 x 1120 mm
Induction zones		6

Electrical connection	400V/50HZ+N+PE
Rating	21 kW
Packed dimensions without stand	980 x 900 x 870 mm

Please note, due to ongoing product development and improvement, we reserve the right to change product design and specification at any time without notice.

 **MIDDLEBY GOLDSTEIN**

1800 013 123 | +61 2 9604 7333
sales@middleby.com.au
middleby.com.au

VIC - TAS - 47 Stubbs Street, Kensington VIC 3031
QLD - U12, 210 Queensport Rd Nth, Murarrie QLD 4172
WA - U2, 9 Meares Way, Canning Vale WA 6155

**HEAD OFFICE
AND MANUFACTURING PLANT**
211-217 Woodpark Road, Smithfield NSW 2164

v1_2024