

# Specification/Data Sheet



## Stand UG2

**Product Number: ICP-UG2-101**

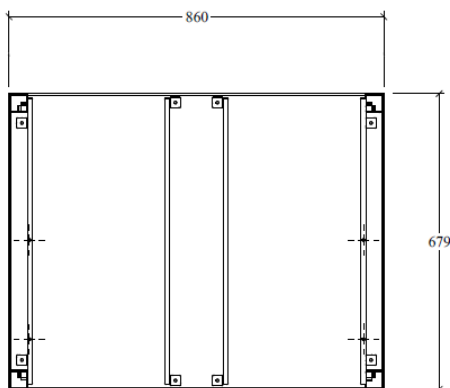
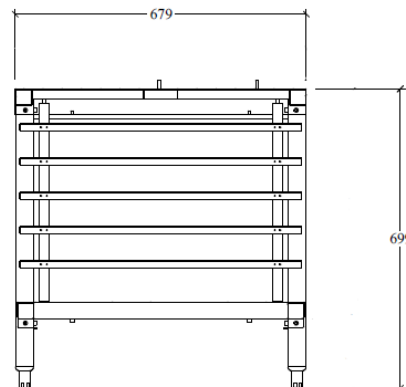
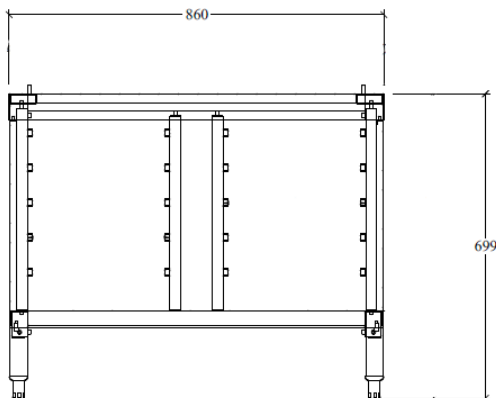
Open on all sides, with runners

### Description

- Standard configuration
- Open to all sides
- Adjustable feet
- 860mm (W) x 679mm (D) x 699mm (H)

### Material

- Stainless Steel



**RATIONAL Australia Pty Ltd**  
Subsidiary of Comcater Pty Ltd

We reserve the right to make technical improvements

156 Swann Drive, Derrimut, VIC 3026

Phone: (03) 8369 4600

Email: [sales@rationalaustralia.com.au](mailto:sales@rationalaustralia.com.au)

Web: [www.rationalaustralia.com.au](http://www.rationalaustralia.com.au)