

Three Solid Door Freezer, Unlit Sign, No Internal Lighting

Range: ActiveCore Freezer

SKOPE ID: LT15SZN

Dimensions: 1705 mm (W) × 695 mm (D) × 2210 mm (H)

Capacity: 1396 L

Project: _____

Item #: _____



A high-efficiency, top-mounted heavy duty display or storage freezer suitable for both front and back of house applications. By using natural refrigerants the freezer achieves high performance with low energy consumption. This model has solid doors, an unlit sign and no internal lighting. It has customisable additional shelving, different locks, or specialised ICE storage. With L1 compliance it is engineered to serve frozen food at a standard -18°C to -21°C and is adjustable from -12°C to -26°C. It is certified under GEMS to climate class 4 and is fully tested to operate in ambient environments of up to 40°C (climate class 5). The refrigeration cartridges can be fully removed in line with best practice for safe servicing of flammable refrigerants. The cabinet includes a controller that connects to the free SKOPE-connect app to enable you to set temperatures and alerts, monitor temperatures and energy, and more. The freezer is certified to all Australian and New Zealand refrigeration and electrical safety standards.



Warranty



ActiveCore Technology



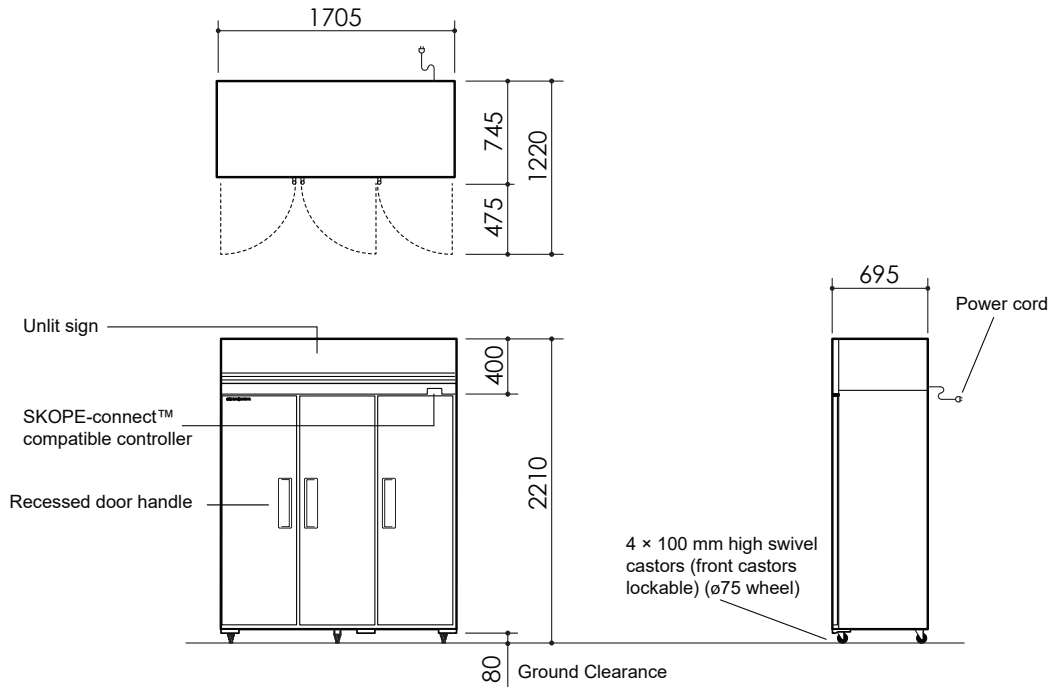
Natural Refrigerant



GEMS



SKOPE-connect



Cabinet

Type	SKFT Freezer		
Finish	Stainless steel or powder-coated galvanised steel with optional colours from within the available SKOPE range		
Insulation	Type	PU foam	
	Thickness (mm)	50	
Doors	Blowing Agent	Cyclo-iso pentane (C5H10/C5H12)	
	Type	Solid swing door	
Doors	Opening Size	Height (mm)	1570
		Width (mm)	436
Shelving	Fifteen adjustable height plastic-coated wire shelves 10 × side shelf (502W × 467D), 5 × middle shelf (571W × 467D)		
Lighting	Sign	n.a.	
	Interior*	None	

Dimensions†

	External	Internal	Packed
Width (mm)	1705	1605	TBC
Depth (mm)	695	554	TBC
Height (mm)	2210 (castors)	1570	TBC
Weight (kg)	TBC		TBC
Capacity (L)	1396		
Footprint (m ²)	1.18		

Ventilation (mm)

Top	Sides	Rear
300	Not required	10

Dimensional Tolerances

† Allow for dimensional tolerances when installing the cabinet(s).

Linear dimensions	Single cabinet	Multiple cabinets	
		At each joint	At each end wall
Less than 1 metre	±5 mm	±5 mm	+15 mm
More than 1 metre	-5 mm to +10 mm	-5 mm to +10 mm	+15 mm

Performance

Product Temperature Range (°C)	-18 to -21 (adjustable* from -12 to -26)	
Maximum Ambient Temperature (°C)	40	
Sound Level (dB(A))	Standard	67
	Hush Mode*	65

Greenhouse and Energy Minimum Standards (GEMS)

Star Rating	2	
Product Temperature Class	L1 (less than -18°C)	
Total Energy Consumption	24.91 kWh/24 h	
Annual Running Costs	\$2728 (@ \$0.30/kWh)	

Electrical

Supply	220-240 volts a.c., 50 Hz, single phase supply	
Cord	2 m power cord with 3-pin, 15 amp plug	
Current draw (A)	11.5	

Refrigeration

Controller	SCS Connect (SKOPE-connect™ compatible)	
System Type	Removable cartridge	
Cartridge Weight (kg)	47.5 × 2	
Refrigerant/Charge	R290/112 × 2 g	
Nominal Capacity (W)	1504 (2 × 752)	
Heat Rejection (W)	Average 1040	Peak 1270
Defrost Type	Hot gas	
Drainage	No plumbing required	

* Accessible via the free SKOPE-connect™ app.



SKFT1500NS-A
on the SKOPE website