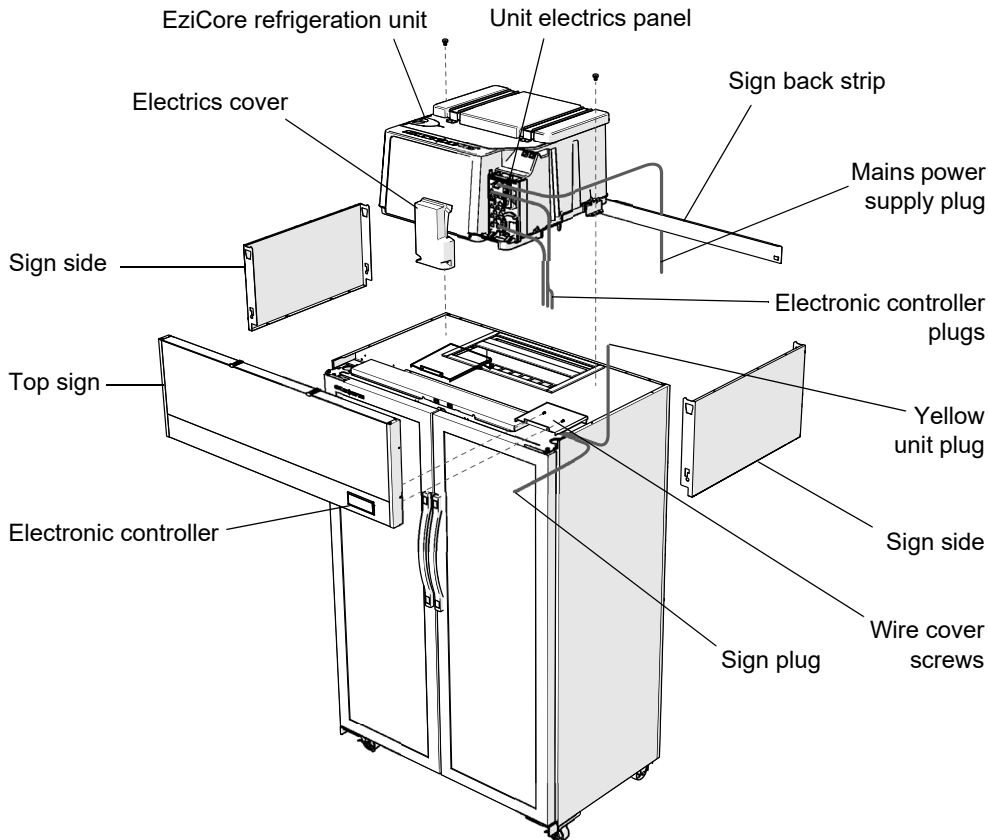


TCE1000 EziCore Unit Removal

Follow the steps below to remove an EziCore refrigeration unit from a TCE1000 cabinet. Ensure the chiller is disconnected from the power supply before removing the unit.

The unit is heavy and requires a minimum of two people to lift from the cabinet. Steps or a platform about one metre high are suggested to allow access to the back of the sign, and to allow the unit to be safely lifted, carried and put down at waist height.



<p>1. Unplug the chiller from the power supply.</p>	<p>5. Unplug the yellow unit plug from the unit electrics panel.</p>
<p>2. Use steps or a platform to access the back of the sign, and unscrew the two wire cover screws from the back of the sign.</p>	<p>6. Remove the sign back strip, and if necessary the sign sides.</p>
<p>3. Swing the sign out, and unplug the three electronic controller plugs and the one sign plug.</p>	<p>7. Unscrew the two unit fixing screws (one on each side of the unit).</p>
<p>4. Lift the sign off the cabinet and place out of the way.</p>	<p>8. The unit can now be lifted off the cabinet.</p>
<p>5. Unscrew and detach the electrics cover from the unit.</p>	<p>When refitting the unit, ensure:</p> <ul style="list-style-type: none"> • The gasket on the top of the cabinet is in good condition. • The unit is screwed down. • All plugs are reconnected.

LAB80034 Rev. 1.0 Jul. 2017



Refer to the relevant product service manual for more detail

SKOPE INDUSTRIES LIMITED



New Zealand Freephone: 0800 947 5673, Fax: (03) 983 3896. Australian Freephone: 1800 121 535, Freefax: 1800 121 533

Email: enquiry@skope.co.nz Website: www.skope.co.nz