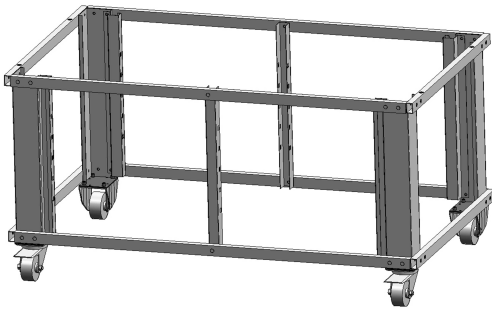




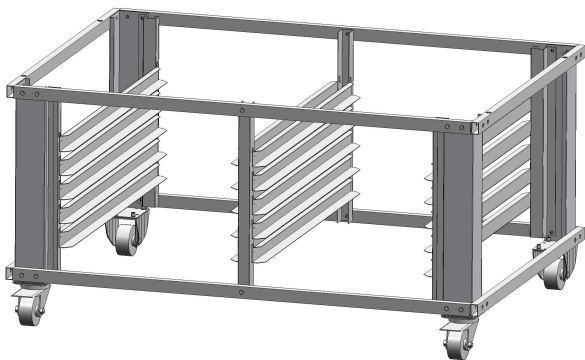
“STAND” S Series

“STAND”

Available heights S 40-60-80-95-105 cm



“STAND WITH TRAYHOLDERS” Available heights SP 60-80-95-105 cm



EXTERNAL CONSTRUCTION

- Structure in powder painted shaped steel plate and tubulars
- Lateral uprights with drillings to lodge the trayholder slides
- Rotating front castors with brake. The rear ones are fixed



OPTIONS AND ACCESSORIES

- Additional trayholder slides

MORETTI FORNI S.P.A.

www.morettiforni.com

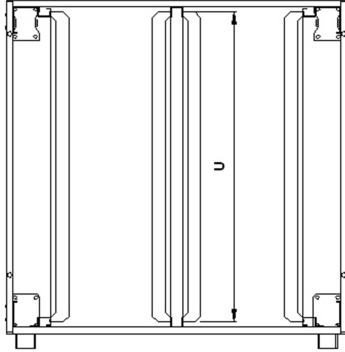
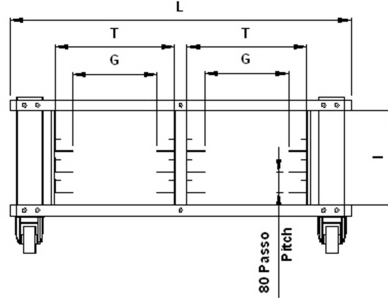
info@morettiforni.com

Via A.Meucci, 4 - 61037 Mondolfo (PU) ITALIA

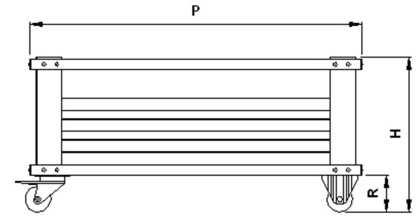
Tel. +39.0721.96161 - Fax +39.0721.9616299



TOP VIEW

STAND
REAR VIEW

RIGHT SIDE VIEW



Note: The dimensions indicated in the views are in millimeters.

NOTE: The versions "40" e "60" high can hold max 3 baking chambers while the ones "80" high or higher can hold max 2 baking chambers

SPECIFICATIONS

MODEL	S50-S / S50-SP					S100-S [^] / S100-SP [^]					S105-S [^] / S105-SP [^]					S120-S [^] / S120-SP [^]					S125-S [^] / S125-SP [^]				
	40	60	80	95	105	40	60	80	95	105	40	60	80	95	105	40	60	80	95	105	40	60	80	95	105
Nominal height	40	60	80	95	105	40	60	80	95	105	40	60	80	95	105	40	60	80	95	105	40	60	80	95	105
H (mm)	400	600	800	950	1050	400	600	800	950	1050	400	600	800	950	1050	400	600	800	950	1050	406	606	806	956	1056
I (mm)	167	367	567	717	817	167	367	567	717	817	167	367	567	717	817	167	367	567	717	817	167	367	567	717	817
R (mm)	142	142	142	142	142	142	142	142	142	142	142	142	142	142	142	142	142	142	142	142	148	148	148	148	148
N° standard slides (SP)	/	6	6	6	6	/	12	12	12	12	/	12	12	12	12	/	12	12	12	12	/	12	12	12	12
N° optional slides (SP)	2	2	6	10	10	4	4	12	20	20	4	4	12	20	20	4	4	12	20	20	4	4	12	20	20
N° max slides	2	8	12	16	16	4	16	24	32	32	4	16	24	32	32	4	16	24	32	32	4	16	24	32	32
Pitch (mm)	40	40	40	40	40	40	40	40	40	40	40	40	40	40	40	40	40	40	40	40	40	40	40	40	40
N° standard trays 60x40	/	2	6	6	6	/	2	6	6	6	/	12	12	12	12	/	12	12	12	12	/	18	18	18	18
N° max trays 60x40	2	8	12	16	16	2	8	12	16	16	4	16	24	32	32	4	16	24	32	32	6	24	36	48	48
Weight (kg) with std.	27	47	49	51	52	30	65	75	78	80	41	83	95	99	102	34	67	77	80	82	43	102	117	122	125
G (mm)	287	287	287	287	287	169 [^]	169 [^]	169 [^]	169 [^]	169 [^]	169 [^]	169 [^]	169 [^]	169 [^]	169 [^]	316 [^]	316 [^]	316 [^]	316 [^]	316 [^]	316 [^]	316 [^]	316 [^]	316 [^]	316 [^]
L (mm)	890	890	890	890	890	1370	1370	1370	1370	1370	1370	1370	1370	1370	1370	1660	1660	1660	1660	1660	1660	1660	1660	1660	1660
P (mm)	1030	1030	1030	1030	1030	1030	1030	1030	1030	1030	1562	1562	1562	1562	1562	1030	1030	1030	1030	1030	1562	1562	1562	1562	1562
T (mm)	637	637	637	637	637	517	517	517	517	517	517	517	517	517	517	664	664	664	664	664	664	664	664	664	664
U (mm)	933	933	933	933	933	933	933	933	933	933	1463	1463	1463	1463	1463	933	933	933	933	933	1463	1463	1463	1463	1463

[^]= 2 compartments