



TURBO LIQUIDISER TRX-22 400/50/3N

2-speed turbo-mixer



P/N 3030506



- ✓ The turbine, disc and grille are very easy to remove for cleaning: no tools needed. The turbine, guard, disc and attachment can be cleaned in dishwashers.
- ✓ For use with 3 easily interchangeable attachments, which meet the needs of all users and ingredients.
21D for fibrous ingredients
- ✓ Standard 30D multi-use attachment
- ✓ 42D attachment for very fine blending
- ✓
- ✓ Safety microswitch to control the work position: prevents the turbine working if the arm is too high or low.
- ✓ Safety guard on the liquidiser head and safety device that cuts out the power supply.

INCLUDES

- ✓ Trolley, motor and arm (without attachments).

ACCESSORIES

- Grids for TRX

SALES DESCRIPTION

Turbo-blender designed to work in up to 800 litre / 130 gal. bowls. For mixing and liquidising directly in the pot or pan for making consommés, soups, omelettes, mayonnaise, etc. Designed for large yields and for frequent use and cleaning, ideal for kitchens with a large production and the food industry. 2-Speed model.

- ✓ Fully manufactured in stainless steel 18/10.
- ✓ Ease of use: can be moved in several directions, adjustable height, fitted on a trolley with 4 non-slip rubber wheels, 2 of them with brakes.
- ✓ Arm: 600 mm long for blending in any type of cooking pot, whether round or rectangular, equally effective throughout the whole pot.
- ✓ Balanced liquidiser arm: stops the arm falling or tipping back when not locked.
- ✓ Arm securing lever: allows you to lock the blender with one hand while holding the trolley with the other.
- ✓ Watertight, tilted control panel: easy access even during use.
- ✓ Control panel located on the trolley, making the arm more agile, with better mobility.
- ✓ Control panel with built-in timer: you can leave the machine running for up to 60 minutes without the need for user involvement.
- ✓ Wiring incorporated into the trolley tubes: The work area is free of cables, so as not to hinder the movement of the blender arm.
- ✓ Supports for storing the power supply cable: prevents the cable getting tangled and inconveniencing other users.



sammic | www.sammic.com
Food Service Equipment Manufacturer

Polígono Basarte, 1.
20720 Azkoitia, Spain

phone +34 943 15 72 36
sales@sammic.com



Project	Date
Item	Qty
Approved	

DYNAMIC PREPARATION
TURBO LIQUIDISERS

product sheet
updated 11/03/2021



TURBO LIQUIDISER TRX-22 400/50/3N

2-speed turbo-mixer



SPECIFICATIONS

- Maximum recipient capacity: 800 l
- Liquidising arm length: 600 mm
- Max. grid diameter: 288 mm
- Total loading: 2200 W
- Speed (in liquid): 750-1500 rpm
- Electrical supply: -- V - -- V / 50 Hz / 3N ~ (5 A - 4,2 A)
- Plug: -

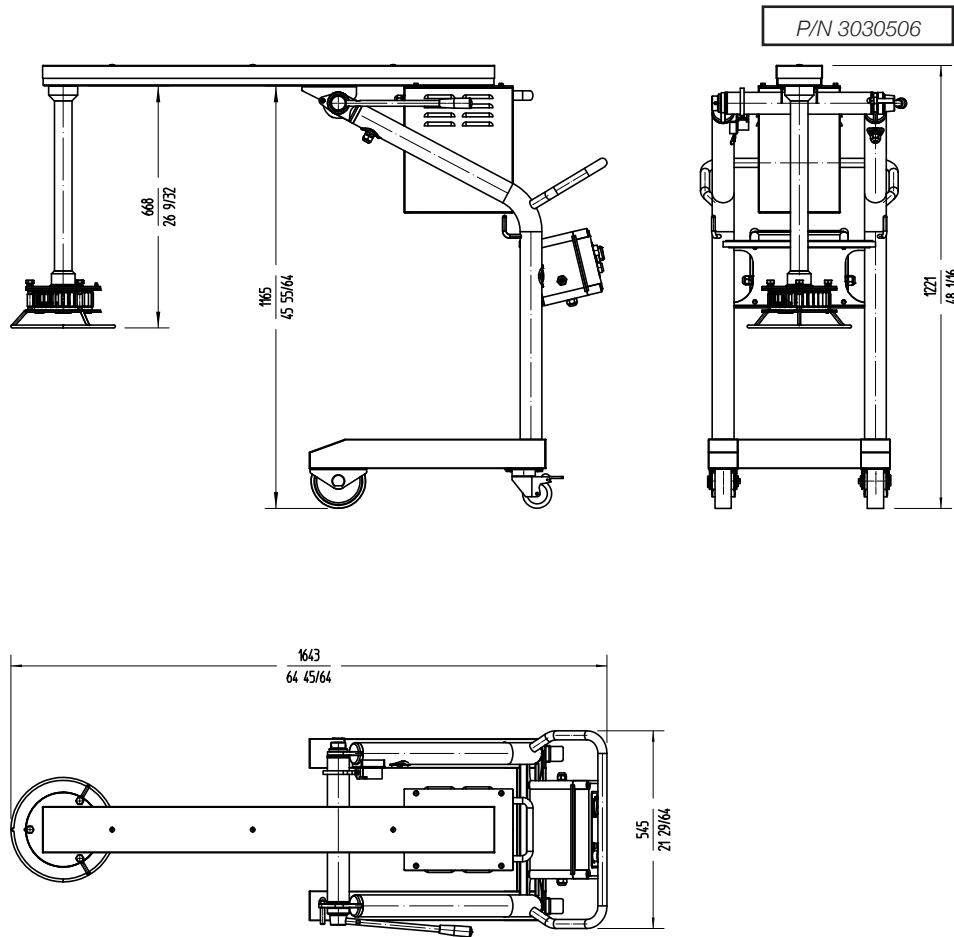
External dimensions (WxDxH)

- ✓ Width: 568 mm
- ✓ Depth: 1643 mm (963 mm)
- ✓ Height: 1219 mm (1651 mm)

Net weight: 96 Kg
 Noise level (1m.): <70 dB(A)
 Background noise: 32 dB(A)

Crated dimensions

1030 x 710 x 1840 mm
 Gross weight: 152 Kg.



DYNAMIC PREPARATION
 TURBO LIQUIDISERS

sammic | www.sammic.com
 Food Service Equipment Manufacturer

Polígono Basarte, 1. phone +34 943 15 72 36
 20720 Azkoitia, Spain sales@sammic.com



Project	Date
Item	Qty
Approved	

product sheet
 updated 11/03/2021