

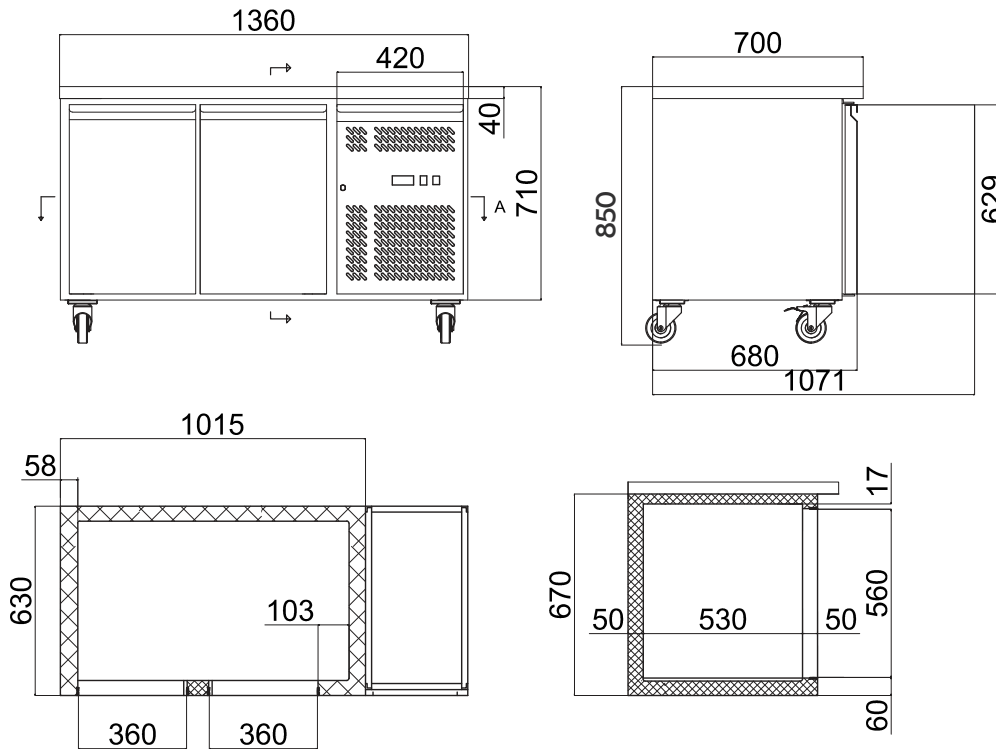
## Under Bench Fridge 282L - 2 Doors - Stainless Steel

| Bar Fridges & Freezers



# Under Bench Fridge 282L - 2 Doors - Stainless Steel

| Bar Fridges & Freezers



| SPECIFICATIONS         |              |                             |                        | DIMENSIONS           |      |
|------------------------|--------------|-----------------------------|------------------------|----------------------|------|
| Model Number           | UBC1360SD-NR | Cord Length                 | 2.5m                   | <b>External (mm)</b> |      |
| Part Number            | 3735204-NR   | Colour                      | Stainless Steel        | <b>Width</b>         | 1360 |
| Volume                 | 282L         | Internal Light              | No                     | <b>Depth</b>         | 700  |
| Unit Weight            | 110kg        | No. of Doors                | 2                      | <b>Height</b>        | 850  |
| Packaged Weight        | 115kg        | Door Type                   | Solid                  | <b>Internal (mm)</b> |      |
| Adjustable Temp. Range | +1°C to +5°C | Door Style                  | Hinged                 | <b>Width</b>         | 902  |
| Max. Ambient Temp.     | 38°C         | Door Lock                   | No                     | <b>Depth</b>         | 530  |
| Climate Class          | 4M1          | Self-Closing Door           | Yes                    | <b>Height</b>        | 589  |
| Energy Consumption     | 3.024kWh/24h | Door Swing Dimension        | 371mm                  | <b>Packaged (mm)</b> |      |
| GEMS Star Rating       | 4 stars      | Total Depth of Door Open    | 1071mm                 | <b>Width</b>         | 1390 |
| Refrigeration Capacity | 245W         | No. of Shelf Tiers inc base | 3                      | <b>Depth</b>         | 730  |
| Refrigerant            | R600a        | Shelf Type                  | Adjustable             | <b>Height</b>        | 910  |
| Rated Current          | 2A           | Shelves Dimensions          | 333(w) x 530(d) mm     |                      |      |
| Electrical Voltage     | 220-240V     | Temp. Controller            | Digital                |                      |      |
| Frequency              | 50Hz         | Castors                     | Yes                    |                      |      |
| Power Supply           | Single Phase | Warranty                    | 2 Years Parts & Labour |                      |      |
| Power Plug             | 1 x 10A      |                             | Bromic Extra Care      |                      |      |
| Plug Location          | Bottom Right |                             |                        |                      |      |