

Client \_\_\_\_\_ Quantity \_\_\_\_\_  
 Project \_\_\_\_\_ Position \_\_\_\_\_

## Vision F Blast Chiller

**Model:** W5F

**Cod:** W64033000001



### Technical data

<b>Top:</b>	Thickness 4 cm. Reinforced in order to place an oven
<b>Max capacity:</b>	6 trays GN1/1, EN60x40 h 20 mm
<b>Gross capacity:</b>	134 lt
<b>Temperature range:</b>	-40°+65°C
<b>Ventilation range:</b>	25% - 100%
<b>Humidity range:</b>	45% - 95% with humidifier
<b>Humidifier:</b>	Included
<b>Refrigerant unit:</b>	Plug-In
<b>Yield +90 / +3:</b>	22 Kg
<b>Yield +90 / -18:</b>	17 Kg
<b>Climate class:</b>	5
<b>Cooling gas:</b>	R452A
<b>Valve:</b>	Electronic expansion valve
<b>Dimensions:</b>	780x859x853 mm
<b>Packing dimensions:</b>	875x915x895 mm
<b>Gross weight:</b>	120 Kg
<b>Voltage:</b>	220-240 V - 50 Hz
<b>Total rate:</b>	1430 W
<b>Absorbed Current:</b>	6,91 A
<b>Cooling capacity:</b>	1565 W*
<b>*:</b>	Evap. -10°C Cond. +45°C

### Features

<b>Functions:</b>	Blast chilling, shock freezing, thawing, proving and retarder prover, holding, desiccation, chocolat
<b>Standard equipment:</b>	5 slides GN1/1, EN60x40
<b>Control:</b>	7" touch screen display with USB port
<b>Doors:</b>	Cushioned, with anti-odor system
<b>Door gasket:</b>	Magnetic, triple chamber and easily replaceable
<b>Core probe:</b>	Needle probe with 1 reading point, quick-release and easily replaceable
<b>Insulation:</b>	60 mm thickness - CFC/HCFC free
<b>Exterior/interior finishing:</b>	Exterior and interior AISI 304 stainless steel. Internal and external in "linen canvas" steel
<b>Inner corners:</b>	Rounded for easy cleaning and ensuring maximum hygiene
<b>Handle:</b>	In AISI 304 stainless steel
<b>Racks and slides:</b>	Stainless steel AISI 304, quick release
<b>Feets:</b>	Stainless steel AISI 304, adjustable h 100-150 mm
<b>Cosmo:</b>	Wi-Fi remote control system

## Accessories and variants

Sonda al cuore a 3 punti di lettura

Sonda al cuore riscaldata a 1 punto di lettura

Inversione apertura porta

Single-phase 50Hz power supply or 60Hz

Three phase 50Hz power supply or 60Hz

Power supply frequency 60Hz

Other special voltage

Purity C Quell ST 50 filter cartridge

Lowered foot h 55/70 mm

4 Swivel and brake castors h 128 mm

Stainless steel shelf GN1/1

Plastic coated shelf GN1/1

Stainless steel shelf EN60x40

Plastic coated shelf EN60x40

Pair of type L slides 398 mm GN-EN

Pair of type L slides 398 mm EN

Sanitizing detergent

Touch screen kit for storage device control

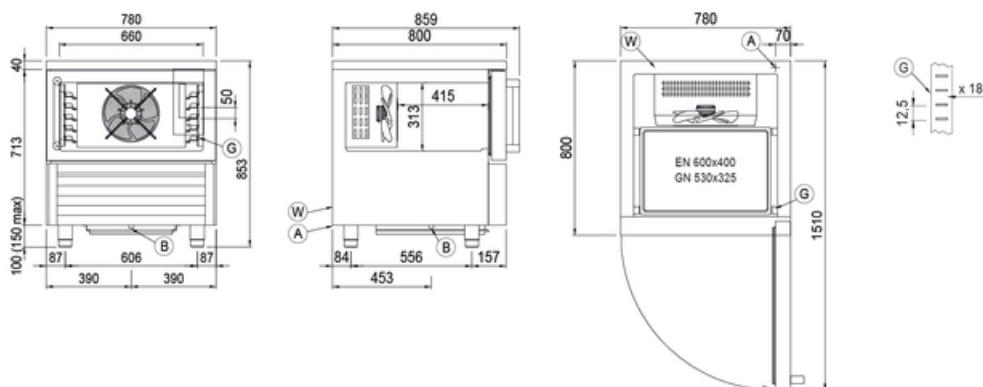
Cosmo connection kit

### COSMO - wi-fi control

Cosmo is the wi-fi technology that allow to connect, update and monitor with a smartphone the VISION blast chiller. VISION is also a Cosmo hub and allow remote supervision of the Coldline devices connected to it. From the app you can check the operating conditions of each machine and receive alerts in the event of abnormal operation.

\*The installation requires a kit for the replacement of the racks

## Technical draw



**A:** Power supply cable outlet

**B:** Condensation water drain

**G:** Racks pitch

**W:** Water mains connection for humidifier - 3/4" female. Unloading not required