

Client _____ Quantity _____
 Project _____ Position _____

Vision NUVO Blast Chiller

Model: W5H

Cod: W64036000001



Technical data

Top:	Thickness 4 cm. Reinforced in order to place an oven
Max capacity:	6 trays GN1/1, EN60x40 h 20 mm
Gross capacity:	134 lt
Temperature range:	-40°+85°C
Ventilation range:	25% - 100%
Humidity range:	45% - 95% with humidifier
Humidifier:	Included
Refrigerant unit:	Plug-In
Yield +90 / +3:	22 Kg
Yield +90 / -18:	17 Kg
Climate class:	5
Cooling gas:	R452A
Valve:	Electronic expansion valve
Dimensions:	780x859x853 mm
Packing dimensions:	875x915x895 mm
Gross weight:	120 Kg
Voltage:	220-240 V - 50 Hz
Total rate:	1430 W
Absorbed Current:	6,91 A
Cooling capacity:	1565 W*
*:	Evap. -10°C Cond. +45°C

Features

Functions:	Blast chilling, shock freezing, thawing, proving and retarder prover, holding, desiccation, chocolat
Standard equipment:	5 slides GN1/1, EN60x40
Control:	7" touch screen display with USB port
Doors:	Cushioned, with anti-odor system
Door gasket:	Magnetic, triple chamber and easily replaceable
Core probe:	Needle probe with 1 reading point, quick-release and easily replaceable
Insulation:	60 mm thickness - CFC/HCFC free
Exterior/interior finishing:	Exterior and interior AISI 304 stainless steel. Internal and external in "linen canvas" steel
Inner corners:	Rounded for easy cleaning and ensuring maximum hygiene
Handle:	In AISI 304 stainless steel
Racks and slides:	Stainless steel AISI 304, quick release
Feets:	Stainless steel AISI 304, adjustable h 100-150 mm
Cosmo:	Wi-Fi remote control system

Accessories and variants

RAL customisable colouring

Sonda al cuore a 3 punti di lettura

Sonda al cuore riscaldata a 1 punto di lettura

Inversione apertura porta

Single-phase 50Hz power supply or 60Hz

Three phase 50Hz power supply or 60Hz

Power supply frequency 60Hz

Other special voltage

Purity C Quell ST 50 filter cartridge

Lowered foot h 55/70 mm

4 Swivel and brake castors h 128 mm

Stainless steel shelf GN1/1

Plastic coated shelf GN1/1

Stainless steel shelf EN60x40

Plastic coated shelf EN60x40

Pair of type L slides 398 mm GN-EN

Pair of type L slides 398 mm EN

Sanitizing detergent

Touch screen kit for storage device control

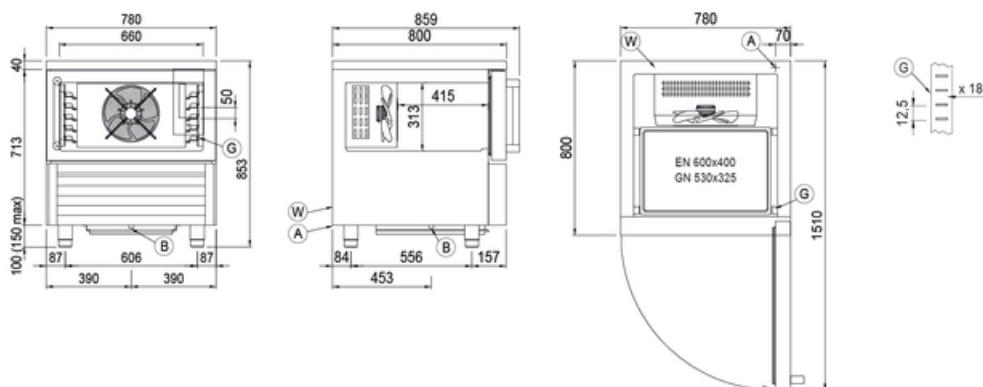
Cosmo connection kit

COSMO - wi-fi control

Cosmo is the wi-fi technology that allow to connect, update and monitor with a smartphone the VISION blast chiller. VISION is also a Cosmo hub and allow remote supervision of the Coldline devices connected to it. From the app you can check the operating conditions of each machine and receive alerts in the event of abnormal operation.

*The installation requires a kit for the replacement of the racks

Technical draw



A: Power supply cable outlet

B: Condensation water drain

G: Racks pitch

W: Water mains connection for humidifier - 3/4" female. Unloading not required