

Client \_\_\_\_\_ Quantity \_\_\_\_\_  
 Project \_\_\_\_\_ Position \_\_\_\_\_

## Modi Up Blast Chiller

**Model:** W7U

**Cod:** W11073000001



### Technical data

<b>Top:</b>	Thickness 4 cm. Reinforced in order to place an oven
<b>Gross capacity:</b>	238 lt
<b>Temperature range:</b>	-40°+10°C
<b>Refrigerant unit:</b>	Plug-In
<b>Yield +90 / +3:</b>	34 Kg
<b>Yield +90 / -18:</b>	24 Kg
<b>Climate class:</b>	5
<b>Cooling gas:</b>	R452A
<b>Defrost:</b>	Hot gas
<b>Valve:</b>	Electronic expansion valve
<b>Dimensions:</b>	780×800×1093 mm
<b>Packing dimensions:</b>	800×830×1135 mm
<b>Gross weight:</b>	140 Kg
<b>Voltage:</b>	220-240 V - 50 Hz
<b>Total rate:</b>	1350 W
<b>Absorbed Current:</b>	6,52 A
<b>Cooling capacity:</b>	2084 W*
<b>*:</b>	Evap. -10°C Cond. +45°C

### Features

<b>Functions:</b>	Blast chilling, shock freezing, continuous cycle
<b>Standard equipment:</b>	7 slides GN1/1, EN60x40
<b>Control:</b>	4,3" touch screen display with USB port
<b>Doors:</b>	Cushioned, with anti-odor system
<b>Door gasket:</b>	Magnetic, triple chamber and easily replaceable
<b>Core probe:</b>	Needle probe with 1 reading point, quick-release and easily replaceable
<b>Insulation:</b>	60 mm thickness - CFC/HCFc free
<b>Exterior/interior finishing:</b>	Exterior and interior AISI 304 stainless steel.
<b>Inner corners:</b>	Rounded for easy cleaning and ensuring maximum hygiene
<b>Handle:</b>	Stainless steel AISI 304, 2 mm thick
<b>Racks and slides:</b>	Stainless steel AISI 304, quick release
<b>Feets:</b>	Stainless steel AISI 304, adjustable h 100-150 mm

## Accessories and variants

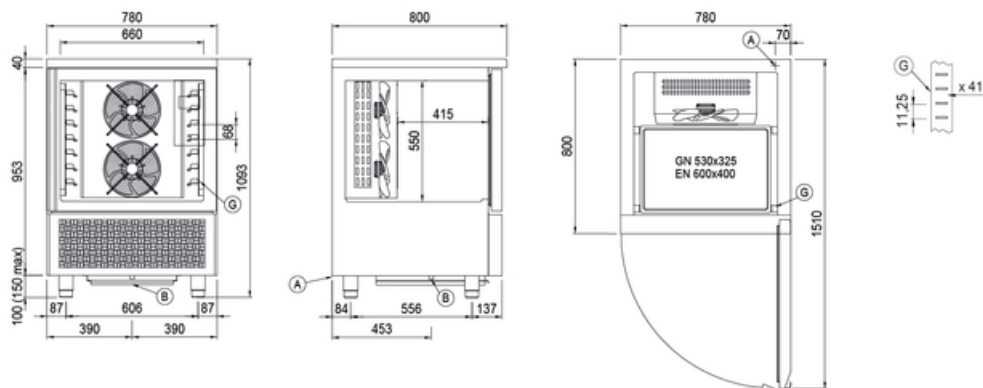
RAL customisable colouring  
 Sonda al cuore a 3 punti di lettura  
 Sonda al cuore riscaldata a 1 punto di lettura  
 Reverse door opening from standard  
 Power supply frequency 60Hz  
 Other special voltage  
 Lowered foot h 55/70 mm  
 4 Swivel and brake castors h 128 mm  
 Stainless steel shelf GN1/1  
 Plastic coated shelf GN1/1  
 Stainless steel shelf EN60x40  
 Plastic coated shelf EN60x40  
 Pair of type L slides 398 mm GN-EN  
 Sterilizing UV lamp (U version)

## COSMO - wi-fi control

Cosmo is the wi-fi technology that allow to connect, update and monitor with a smartphone the MODI blast chiller. MODI is also a Cosmo hub and allow remote supervision of the Coldline devices connected to it.

\*Necessita di kit cremagliere speciale per cassette e ripiani

## Technical draw



**A:** Power supply cable outlet

**B:** Condensation water drain

**G:** Racks pitch