

Client \_\_\_\_\_ Quantity \_\_\_\_\_  
 Project \_\_\_\_\_ Position \_\_\_\_\_

## Modi Active Blast Chiller Counter

**Model:** WTP7A

**Cod:** W17076011001



### Technical data

<b>Top:</b>	Reinforced worktop in order to place an oven
<b>Gross capacity:</b>	248 lt
<b>Temperature range:</b>	-40°+65°C
<b>Ventilation range:</b>	25% - 100%
<b>Humidifier:</b>	Not available
<b>Refrigerant unit:</b>	Plug-In
<b>Yield +90 / +3:</b>	34 Kg
<b>Yield +90 / -18:</b>	24 Kg
<b>Climate class:</b>	5
<b>Cooling gas:</b>	R452A
<b>Defrost:</b>	Hot gas
<b>Body height:</b>	710 mm
<b>Valve:</b>	Electronic expansion valve
<b>Dimensions:</b>	1400×700×850 mm
<b>Packing dimensions:</b>	1545×900×990 mm
<b>Gross weight:</b>	160 Kg
<b>Voltage:</b>	220-240 V - 50 Hz
<b>Total rate:</b>	1950 W
<b>Absorbed Current:</b>	9,42 A
<b>Cooling capacity:</b>	2084 W*
<b>*:</b>	Evap. -10°C Cond. +45°C

### Features

<b>Functions:</b>	Blast chilling, shock freezing, thawing, proving, holding, desiccation, chocolate, manual cycle
<b>Standard equipment:</b>	7 slides GN1/1, EN60x40
<b>Control:</b>	4,3" touch screen display with USB port
<b>Door gasket:</b>	Magnetic, triple chamber and easily replaceable
<b>Core probe:</b>	Needle probe with 1 reading point, quick-release and easily replaceable
<b>Insulation:</b>	60 mm thickness - CFC/HCFC free
<b>Exterior/interior finishing:</b>	Exterior and interior AISI 304 stainless steel.
<b>Inner corners:</b>	Rounded for easy cleaning and ensuring maximum hygiene
<b>Handle:</b>	Stainless steel AISI 304, 2 mm thick
<b>Racks and slides:</b>	Stainless steel AISI 304, quick release
<b>Feets:</b>	Stainless steel AISI 304, adjustable h 100-150 mm
<b>Cosmo:</b>	Wi-Fi remote control system

## Accessories and variants

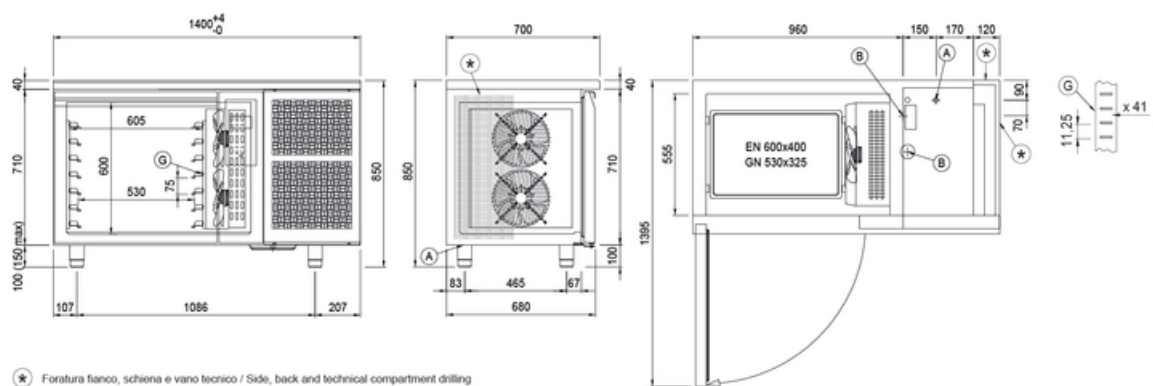
- Sonda al cuore a 3 punti di lettura
- Sonda al cuore riscaldata a 1 punto di lettura
- Inversione apertura porta
- Power supply frequency 60Hz
- Other special voltage
- Lowered foot h 55/70 mm
- 4 Swivel and brake castors h 128 mm
- Stainless steel shelf GN1/1
- Plastic coated shelf GN1/1
- Stainless steel shelf EN60x40
- Plastic coated shelf EN60x40
- Pair of type L slides 398 mm GN-EN

## COSMO - wi-fi control

Cosmo is the wi-fi technology that allow to connect, update and monitor with a smartphone the MODI blast chiller. MODI is also a Cosmo hub and allow remote supervision of the Coldline devices connected to it.

\*The installation requires a kit for the replacement of the racks

## Technical draw



- A:** Power supply cable outlet
- B:** Condensation water drain
- G:** Racks pitch
- J:** Automatic evaporation of condensing water

In order to constantly offer the best possible products we reserve the right to make changes on technical specifications without incurring any obligation for equipment previously or subsequently sold.