



# CORNWALL

830mm height

**FrameFree**  
canopy



Height  
adjustable  
and  
'tiltable'  
shelving:  
4 display  
levels

Flush finished base

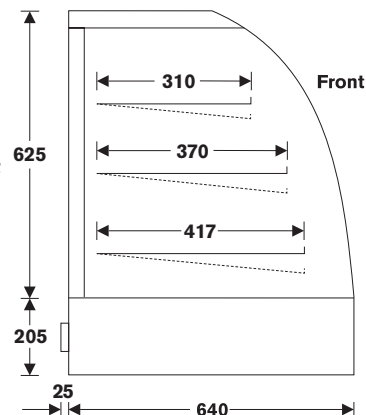
**MiniTek** compact  
refrigeration in base



CCC12

**STANDARD FEATURES**

- › **FrameFree** canopy that maximises fully the visibility of displayed food from all sides
- › **MiniTek** compact refrigeration technology built into base of cabinet. No bench cut-outs or condenser installation required and cabinet is freely moveable across benches, between benches and to new locations
- › Four food display levels: three shelves plus bottom trays; offering more extensive display area than comparable cabinets
- › Chrome wire shelving system that is height adjustable in 25mm increments and interchangeable between horizontal and tilted positions
- › **CrumbCatch** feature in bottom trays that collects falling crumbs and food
- › High quality European and Japanese refrigeration components
- › Designed to operate at 3 – 5°C in room environments up to **28°C**
- › Fan forced air flow for even temperature distribution
- › **i-frost** intelligent defrost control that minimises time in defrost to better maintain consistent food temperature
- › Refrigeration optimised to provide a high humidity environment that maintains food quality for longer
- › **DuraCoat** system providing a protective coating over the refrigeration coil to prevent food acid corrosion
- › **SureVap** self-evaporating system for condensate—no drain required
- › **SlimLED** under-shelf LED strip lighting with 12V safety
- › Rear sliding, double-glazed doors on friction-free, low wear tracks (doors removable for cleaning)

**SIDE VIEW**

**minitek**  
REFRIGERATION TECHNOLOGY

# CORNWALL: CHILLED COMPACT

This innovative and unique cabinet incorporates Festivé's leading MiniTek technology to deliver the most advanced and flexible countertop on the market—simply plug in and operate.

**4°C operating temperature**

**For Factory Options refer to page 46**

**For Cabinet Accessories refer to page 56**

Model	CCC9	CCC12	CCC15	CCC18	CCC24
Length	900mm	1200mm	1530mm	1770mm	2370mm
Depth*	640mm	640mm	640mm	640mm	640mm
Height	830mm	830mm	830mm	830mm	830mm
Available Display Area	1.26m <sup>2</sup>	1.73m <sup>2</sup>	2.24m <sup>2</sup>	2.54m <sup>2</sup>	3.5m <sup>2</sup>
Power Connection	10A Plug	10A Plug	10A Plug	10A Plug	10A Plug

\*Add extra 25mm for protruding control panel, switches and cable exit

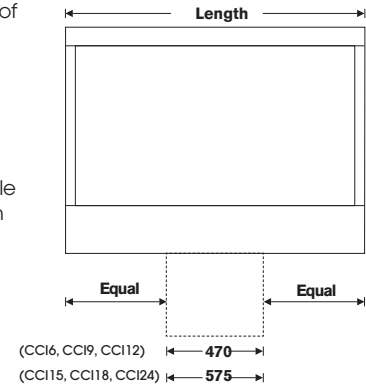


CCI12  
(Front sliding door option)

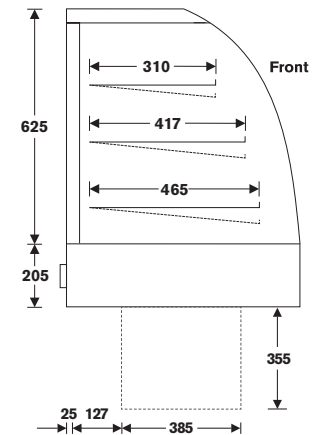
### STANDARD FEATURES

- › **FrameFree** canopy that maximises fully the visibility of displayed food from all sides
- › Refrigeration unit provided as condenser in cradle
- › Four food display levels: three shelves plus bottom trays; offering more extensive display area than comparable cabinets
- › Chrome wire shelving system that is height adjustable in 25mm increments and interchangeable between horizontal and tilted positions
- › **CrumbCatch** feature in bottom trays that collects falling crumbs and food
- › High quality European and Japanese refrigeration components
- › Refrigeration unit provided as condenser in cradle
- › Designed to operate at 3 – 5°C in room environments up to 32°C
- › Fan forced air flow for even temperature distribution
- › **i-frost** intelligent defrost control that minimises time in defrost to better maintain consistent food temperature
- › Refrigeration optimised to provide a high humidity environment that maintains food quality for longer
- › **DuraCoat** system providing a protective coating over the refrigeration coil to prevent food acid corrosion
- › **SureVap** self-evaporating system for condensate—no drain required
- › **SlimLED** under-shelf LED strip lighting with 12V safety
- › Rear sliding, double-glazed doors on friction-free, low wear tracks (doors removable for cleaning)

### REAR VIEW



### SIDE VIEW



# CORNWALL: CHILLED INTEGRAL

An elegant counter-top cabinet designed to maximise display area, show food with style, and maintain food at the highest quality.

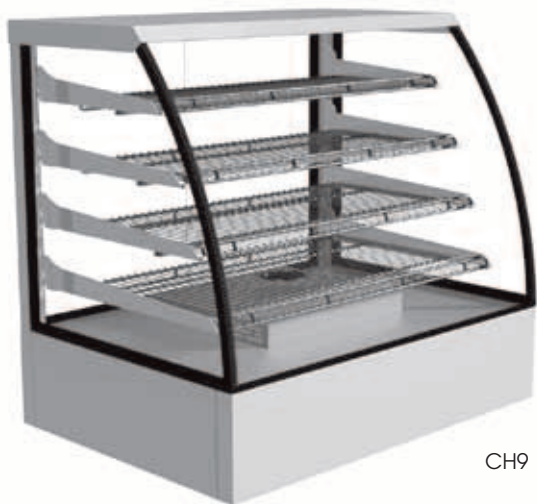
**4°C operating temperature**

For Factory Options refer to page 46

For Cabinet Accessories refer to page 56

Model	CCI6	CCI9	CCI12	CCI15	CCI18	CCI24
Length	600mm	900mm	1200mm	1530mm	1770mm	2370mm
Depth*	640mm	640mm	640mm	640mm	640mm	640mm
Height	830mm	830mm	830mm	830mm	830mm	830mm
Available Display Area	0.84m <sup>2</sup>	1.34m <sup>2</sup>	1.83m <sup>2</sup>	2.4m <sup>2</sup>	2.7m <sup>2</sup>	3.7m <sup>2</sup>
Power Connection	10A Plug	10A Plug	10A Plug	10A Plug	10A Plug	10A Plug

\*Add extra 30mm for protruding control panel and switches

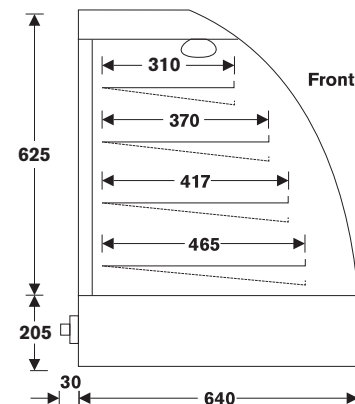


CH9

**STANDARD FEATURES**

- › **FrameFree** canopy that maximises fully the visibility of displayed food from all sides
- › **GoldenGlow** lighting system, incorporating long life halogen heat lamps, that gives pastries a golden glow
- › Four shelf display levels; offering more extensive display area than comparable cabinets
- › Chrome wire shelving system that is height adjustable in 25mm increments and interchangeable between horizontal and tilted positions
- › High quality European heating and control components
- › Thermostatically controlled to operate at a temperature up to 95°C
- › Fan forced air flow for even heat distribution
- › Rapid response element for better temperature control
- › Rear sliding doors on friction-free, low wear tracks (doors removable for cleaning)

**SIDE VIEW**



**For Factory Options refer to page 46**

**For Cabinet Accessories refer to page 56**

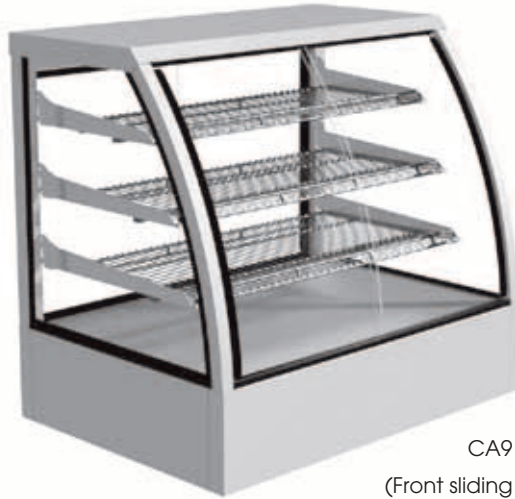
# CORNWALL: HEATED

A stylish heated countertop cabinet that maximises display area and utilises Festivé's GoldenGlow lighting system to display heated food at its best.

**up to 95°C operating temperature**

Model	CH6	CH9	CH12	CH15
Length	600mm	900mm	1200mm	1530mm
Depth*	640mm	640mm	640mm	640mm
Height	830mm	830mm	830mm	830mm
Available Display Area	0.8m <sup>2</sup>	1.25m <sup>2</sup>	1.7m <sup>2</sup>	2.23m <sup>2</sup>
Power Connection	10A Plug	10A Plug	15A Plug	20A Plug

*\*Add extra 30mm for protruding control panel and switches*



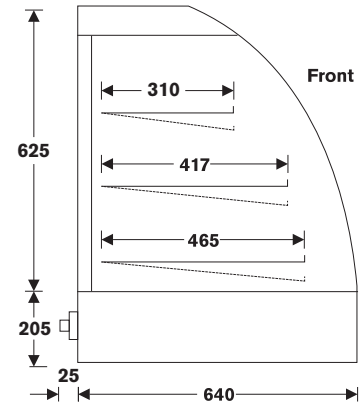
CA9  
(Front sliding door option)

**STANDARD FEATURES**

- › **FrameFree** canopy that maximises fully the visibility of displayed food from all sides
- › Four food display levels: three shelves plus base; offering more extensive display area than comparable cabinets
- › Chrome wire shelving system that is height adjustable in 25mm increments and interchangeable between horizontal and tilted positions
- › **SlimLED** under-shelf LED strip lighting with 12V safety
- › Top venting to allow heat dissipation
- › Rear sliding doors on friction-free, low wear tracks (doors removable for cleaning)

**For Factory Options refer to page 46**  
**For Cabinet Accessories refer to page 56**

**SIDE VIEW**

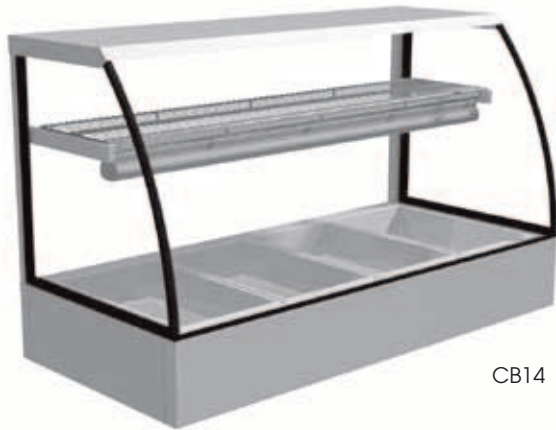


# CORNWALL: AMBIENT

An elegant countertop ambient cabinet that maximises display area, shows off food and provides a consistent look across a line-up of other Cornwall cabinets.

Model	CA6	CA9	CA12	CA15	CA18	CA24
Length	600mm	900mm	1200mm	1530mm	1770mm	2370mm
Depth*	640mm	640mm	640mm	640mm	640mm	640mm
Height	830mm	830mm	830mm	830mm	830mm	830mm
Available Display Area	0.84m <sup>2</sup>	1.34m <sup>2</sup>	1.83m <sup>2</sup>	2.4m <sup>2</sup>	2.7m <sup>2</sup>	3.7m <sup>2</sup>
Power Connection	10A Plug	10A Plug	10A Plug	10A Plug	10A Plug	10A Plug

\*Add extra 25mm for protruding control panel and switches

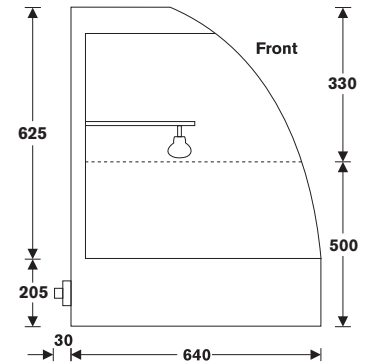


CB14

**STANDARD FEATURES**

- › **FrameFree** canopy that maximises fully the visibility of displayed food from all sides
- › Open at rear (no doors)
- › Internal chrome wire shelf for holding plates
- › **DoubleJacket** long life halogen heat lamps mounted under shelf
- › Gastronorm pans not supplied with unit
- › Fixed front glass
- › Thermostatically controlled to operate at a temperature up to 95°C
- › Drain with faucet built in
- › Can be operated wet or dry

**SIDE VIEW**



**For Factory Options refer to page 46**

**For Cabinet Accessories refer to page 56**

# CORNWALL: BAIN MARIE

An elegant looking Bain Marie cabinet for getting the most out of hot food offerings.

**up to 95°C operating temperature**

Model	CB7	CB11	CB14	CB17	CB20
Length	745mm	1070mm	1395mm	1720mm	2045mm
Depth*	640mm	640mm	640mm	640mm	640mm
Height	830mm	830mm	830mm	830mm	830mm
No. of Gastro 1/1 Pans**	2	3	4	5	6
Power Connection	10A Plug	15A Plug	20A Plug	Fixed Wiring	Fixed Wiring

\*Add extra 30mm for protruding control panel, switches and cable exit

\*\*Up to 100mm deep. (Gastronorm pans not supplied)



CHD14

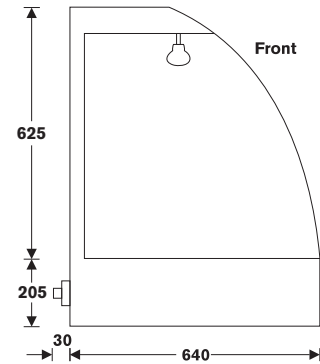
**STANDARD FEATURES**

- › **FrameFree** canopy that maximises fully the visibility of displayed food from all sides
- › Tempered glass deck
- › Stainless steel top
- › Open at rear (no doors)
- › Fixed front glass
- › Internal chrome wire shelf for holding plates
- › Optional **DoubleJacket** long life halogen heat lamps mounted under shelf
- › Heated plate set to operate at a temperature of 90 - 100°C

**For Factory Options refer to page 46**

**For Cabinet Accessories refer to page 56**

**SIDE VIEW**



# CORNWALL: HOT DECK

For gourmet food presentation this hot deck cabinet provides the class the food deserves.

**90 - 100°C operating temperature**

Model	CHD7	CHD11	CHD14	CHD17
Length	745mm	1070mm	1395mm	1720mm
Depth*	640mm	640mm	640mm	640mm
Height	830mm	830mm	830mm	830mm
Hot Plate (L X D)	702 x 580mm	1030 x 580mm	1358 x 580mm	1686 x 580mm
Power Connection (with lamps)	10A Plug	10A Plug	15A Plug	20A Plug
Power Connection (without lamps)	10A Plug	10A Plug	10A Plug	10A Plug

\*Add extra 30mm for protruding control panel, switches and cable exit