



**Austune Group**  
**Austune Commercial Pty Ltd**  
**Austune Australia Pty Ltd**  
**3/35 Davis Road Wetherill Park 2164**  
**Tel 1800 FRIDGE (37 43 43)**  
**email [info@austunecommercial.com](mailto:info@austunecommercial.com)**

**Austune C Series Chiller**

**CR180-3**



**FEATURES/ BENEFITS**

**Austune 1800 FRIDGE**

**C Series**

**C Series by Austune 1800 FRIDGE**

**Digital Temperature Control System**

Provides precise and constant temperature. This level of precision Allows food products to remain fresh over an extended period of time

**High Tech Monitor**

The monitor digitally displays present cabinet temperature. You can easily change the temperature by using the Thermostat

**Hot Gas Condensate System**

Prevents overflow of condensate water

**Efficient Refrigeration System**

R-134A utilized for chiller and R-404A for freezers. These include efficient evaporators and condensers for faster Cooling and greater efficiency

**Stainless Exterior and Interior**

Stainless steel exterior (galvanized back and underside of base) Guarantees the utmost in cleanliness.

**High Density Polyurethane Insulation**

Model	Doors	Capacity	Shelves	Amps	Weight	W X D XH (mm)
CR180-3	3	1600Litres	9	6.0	167kg	1800x850x2000



Note : Not To Scale

Design and Specification subject to change Without Notice

[www.austunecommercial.com](http://www.austunecommercial.com)



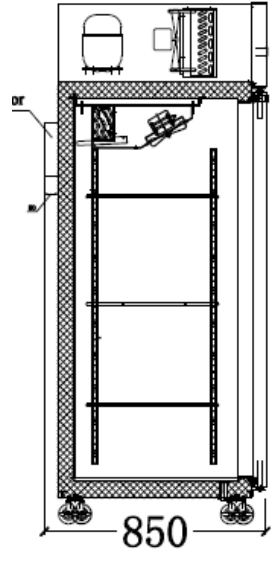
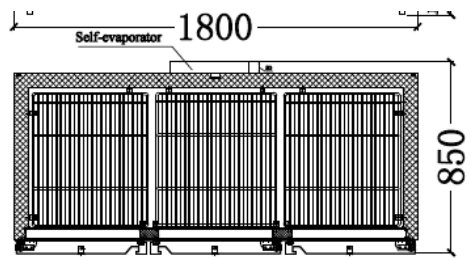
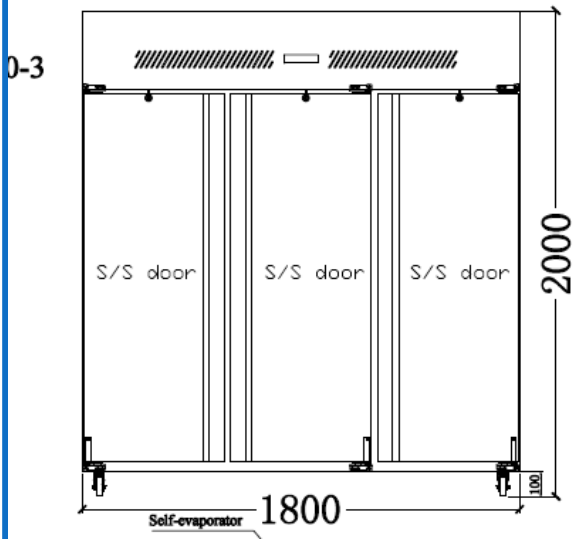
**Tel 1800 FRIDGE (37 43 43)**

**email [info@austunecommercial.com](mailto:info@austunecommercial.com)**

**Austune C Series Freezer**

**CR180-3**

<b>Spec Sheet</b>	CR180-3
Classification	Upright Chiller
Orientation	Top Mount Compressor
Cooling Type	Ventilated,
Compressor (HP)	Danfoss
Temp range	0c ~ 8c
Refrigerant	R134a
Shelves	9 Adjustable
Display	LED Digital Display
Doors	3 x Full Stainless Block with Locks
Controller	Soft Touch Digital
Internal Light	Yes
Castors	Lockable Multi Directional
Volume	1600 litre
Dimensions	W1800x D850x H2000mm
Weight	167KG
Power	Amps 6 Input Power 850W 220V/50Hz 10 Amp Plug



**WARRANTY 2 YEARS**  
PARTS & LABOUR

Note : Not To Scale  
Design and Specification subject to change Without Notice

[www.austunecommercial.com](http://www.austunecommercial.com)