



**Austune Group**  
**Austune Commercial Pty Ltd**  
**Austune Australia Pty Ltd**  
**3/35 Davis Road Wetherill Park 2164**  
**Tel 1800 FRIDGE (37 43 43)**  
**email [info@austunecommercial.com](mailto:info@austunecommercial.com)**

**Austune C Series Dual Temp Chiller Freezer**

**CRF180-3**



**FEATURES/ BENEFITS**

**Austune 1800 FRIDGE**

**C Series**

**C Series by Austune 1800 FRIDGE**

**Digital Temperature Control System**

Provides precise and constant temperature. This level of precision Allows food products to remain fresh over an extended period of time

**High Tech Monitor**

The monitor digitally displays present cabinet temperature. You can easily change the temperature by using the Thermostat

**Hot Gas Condensate System**

Prevents overflow of condensate water

**Efficient Refrigeration System**

R-134A utilized for chiller and R-404A for freezers. These include efficient evaporators and condensers for faster Cooling and greater efficiency

**Stainless Exterior and Interior**

Stainless steel exterior (galvanized back and underside of base) Guarantees the utmost in cleanliness.

**High Density Polyurethane Insulation**

Model	Doors	Capacity	Shelves	Amps	Weight	W X D XH (mm)
CRF180-3	3	1600Litres	9	8.5	167kg	1800x850x2000



Note : Not To Scale

Design and Specification subject to change Without Notice

[www.austunecommercial.com](http://www.austunecommercial.com)

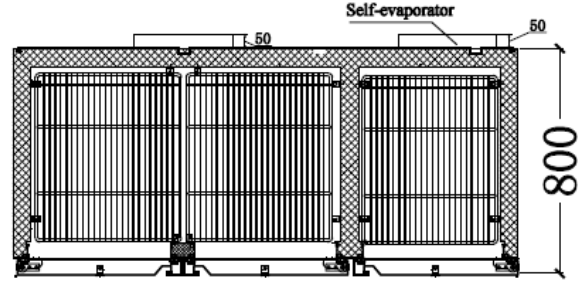
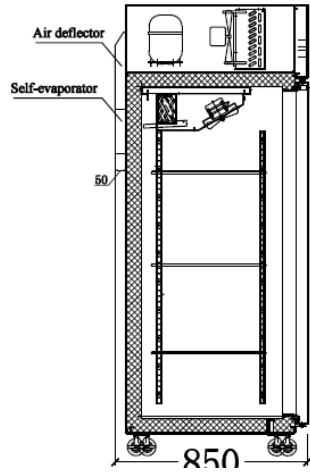
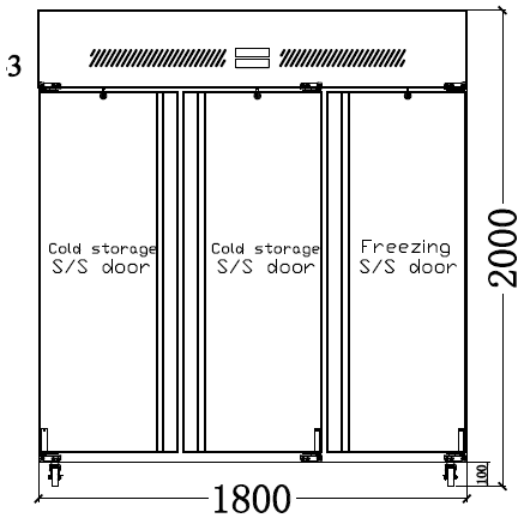


**Tel 1800 FRIDGE (37 43 43)**

**email [info@austunecommercial.com](mailto:info@austunecommercial.com)**

**Austune C Series Dual Temp Chiller Freezer** **CRF180-3**

<b>Spec Sheet</b>	CRF180-3
Classification	Upright Chiller and Freezer
Orientation	Top Mount Compressors
Cooling Type	Ventilated,
Compressor (HP)	Danfoss x 2
Temp range	Chiller 0-5c Freezer -22c~-18c
Refrigerant	Chiller R134a Freezer R404a
Shelves	9 Adjustable
Display	LED Digital Displays
Doors	3 x Full Stainless Block with Locks
Controller	Soft Touch Digital
Internal Lights	Yes
Castors	Lockable Multi Directional
Volume	1600 litre
Dimensions	W1800x D850x H2000mm
Weight	167KG
Power	Amps 8.5 Input Power 850W 220V/50Hz 10 Amp Plug



**WARRANTY 2 YEARS**  
PARTS & LABOUR

**Note : Not To Scale**  
Design and Specification subject to change Without Notice

[www.austunecommercial.com](http://www.austunecommercial.com)