



Austune Group
Austune Commercial Pty Ltd
Austune Australia Pty Ltd
3/35 Davis Road Wetherill Park 2164
Tel 1800 FRIDGE (37 43 43)
email info@austunecommercial.com

Austune C Series Undercounter Freezer Two Drawers One Door **CUF120-2D-2**



FEATURES/ BENEFITS

Austune 1800 FRIDGE

C Series

C Series From Austune 1800 FRIDGE

Digital Temperature Control System

Provides precise and constant temperature. This level of precision Allows food products to remain fresh over an extended period of time

High Tech Monitor

The monitor digitally displays present cabinet temperature. You can easily change the temperature by using the Thermostat

Hot Gas Condensate System

Prevents overflow of condensate water

Efficient Refrigeration System

R-134A utilized for chiller and R-404A for freezers. These include efficient evaporators and condensers for faster Cooling and greater efficiency

Adjustable Heavy Duty PE (Polyethylene) Coated Wire Shelves

Stainless Exterior and Interior

Stainless steel exterior (galvanized back and underside of base) Guarantees the utmost in cleanliness.

Model	Drws/Doors	Capacity	Max drawer depth	Amps	Weight	W X D XH (mm)
CUF120-2D-2	2 / 1	320 Litres	150	3.0	95kg	1200x700x800



Note : Not To Scale
Design and Specification subject to change Without Notice

www.austunecommercial.com

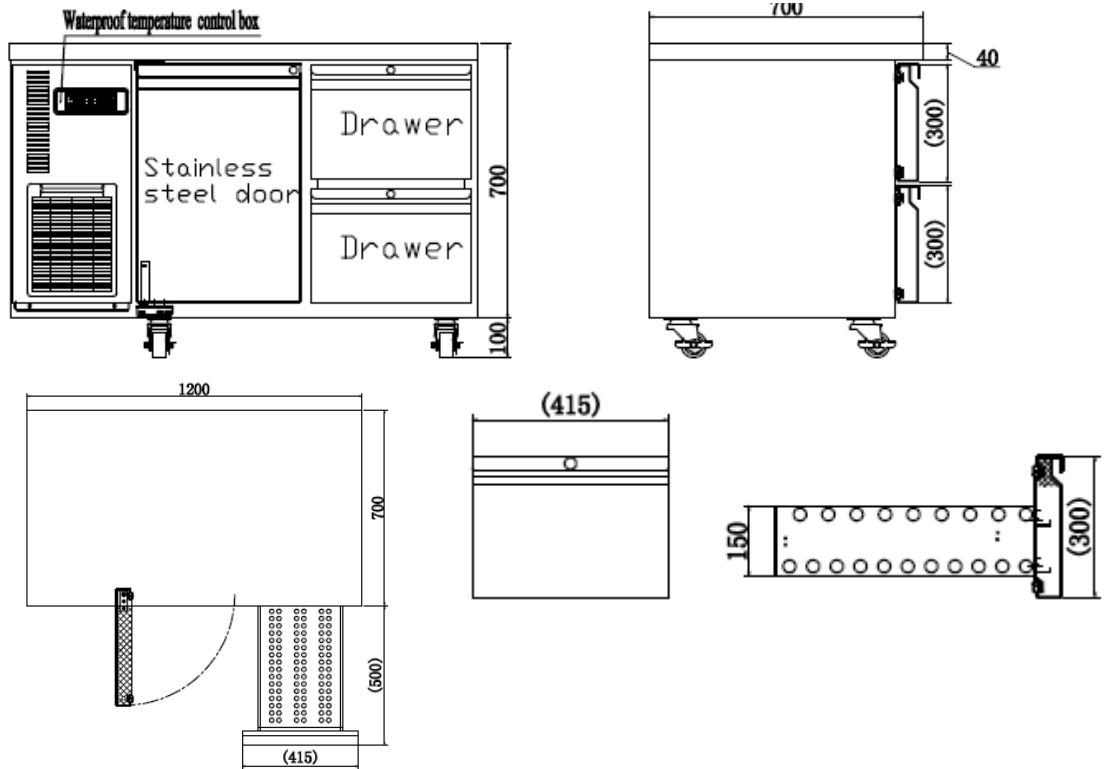


Tel 1800 FRIDGE (37 43 43)

email info@austunecommercial.com

Austune C Series Undercounter Freezer Two Drawers One Door **CUF120-2D-2**

Spec Sheet	CUF120-2D-2
Classification	Freezer 2 Drawers one Door
Orientation	Left hand side Compressor
Cooling Type	Ventilated,
Compressor (HP)	Danfoss
Temp range	-18 to -22C
Refrigerant	R404a
Shelves	1
Display	LED Digital Display
Doors / Drawers	1 Door 2 Drawers with Locks
Controller	Soft Touch Digital
Internal Light	Yes
Castors	Lockable Multi Directional
Volume	320 litre
Dimensions	W1200x D700x H800mm
Weight	95KG
Power	Amps 3.0 Input Power 480W 220V/50Hz 10 Amp Plug



WARRANTY 2 YEARS
PARTS & LABOUR

Note : Not To Scale
Design and Specification subject to change Without Notice

www.austunecommercial.com