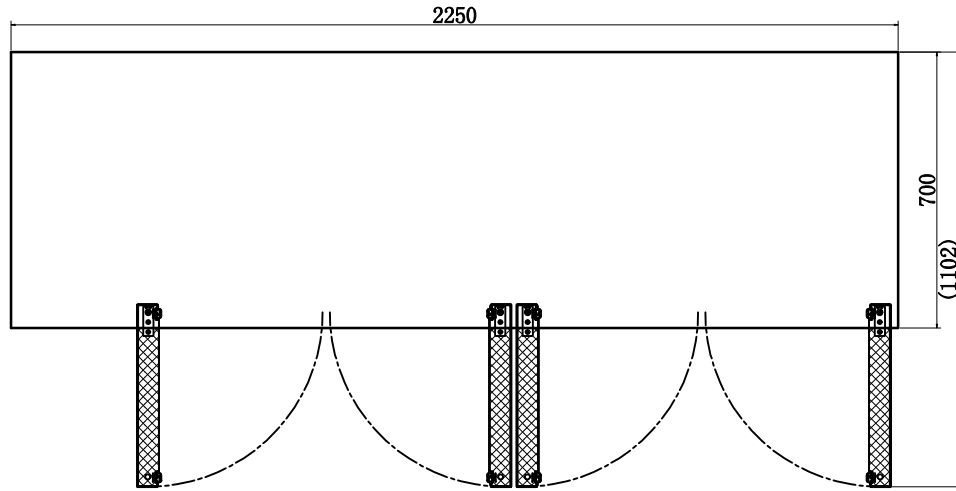
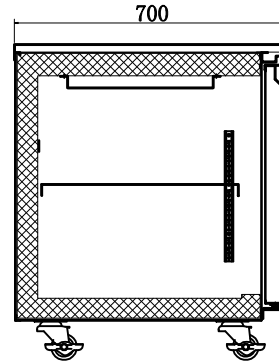
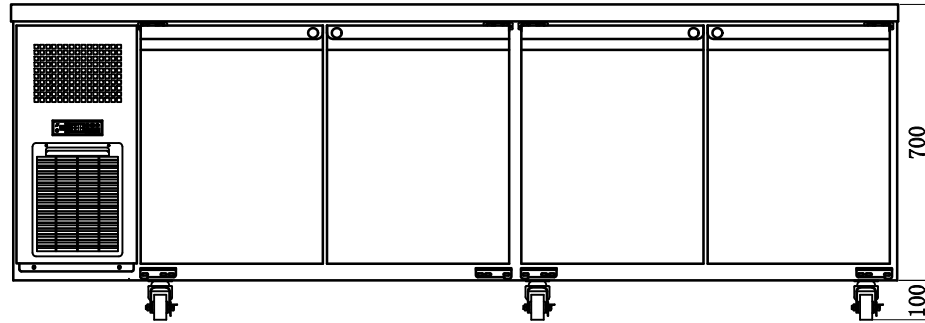


CUF225-4



- 1.ARC body
- 2.Front 2 wheels with brakes

User By

Date
2019.11.13

Drawing Number

Version Number

Product Code

Designed By

Drawn By

Craft BY

Checked By

Approved BY

Validation By

| 1.Name | 2.Size | 3.Temp range | 4.Unit position | 5.Cooling mode | 6.Door type | 7.Voltage | 8.Depth | 9.Backrest | 10.V-cut | 11.Unit | Notes |
|----------------------------------|---|--|--|---|--|---|---|--|--|---|-------|
| 2.25M Horizontal refrigerator | L: 1800 D: 700 H: 800 Unit: mm | <input type="checkbox"/> 2~+8℃ <input type="checkbox"/> -6~+15℃ <input checked="" type="checkbox"/> -18~-22℃ | <input checked="" type="checkbox"/> Left <input type="checkbox"/> Right <input type="checkbox"/> Others: _____ | <input checked="" type="checkbox"/> Fan <input type="checkbox"/> Water | <input type="checkbox"/> 304 <input type="checkbox"/> 201 <input type="checkbox"/> S/S door <input type="checkbox"/> Glass door | <input checked="" type="checkbox"/> 220V/50Hz <input type="checkbox"/> 110V/60Hz <input type="checkbox"/> 220V/60Hz | Top depth: 700 Body depth: 700 | <input type="checkbox"/> Yes <input checked="" type="checkbox"/> No <input type="checkbox"/> Others: _____ | <input type="checkbox"/> No <input checked="" type="checkbox"/> Yes <input type="checkbox"/> Others: _____ | <input checked="" type="checkbox"/> All in one <input type="checkbox"/> Split Distance ___M | |