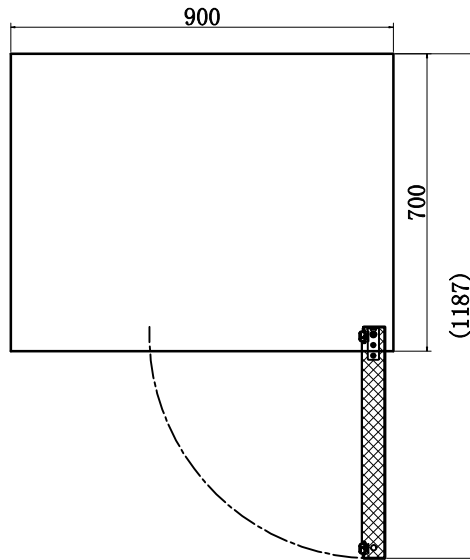
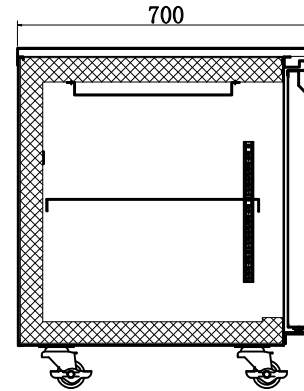
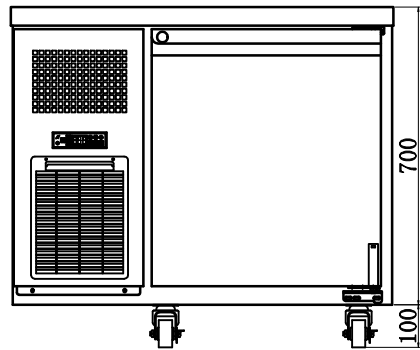


CUF90-1



- 1.ARC body
- 2.Front 2 wheels with brakes

User By

Date
2019.11.13

Drawing Number

Version Number

Product Code

Designed By

Drawn By

Craft BY

Checked By

Approved BY

Validation By

Notes

1.Name	2.Size	3.Temp range	4.Unit position	5.Cooling mode	6.Door type	7.Voltage	8.Depth	9.Backrest	10.V-cut	11.Unit
0.9M Horizontal refrigerator	L: 900 D: 700 H: 800 Unit: mm	<input type="checkbox"/> 2~+8℃ <input type="checkbox"/> -6~+15℃ <input checked="" type="checkbox"/> -18~-22℃	<input checked="" type="checkbox"/> Left <input type="checkbox"/> Right <input type="checkbox"/> Others: _____	<input checked="" type="checkbox"/> Fan <input type="checkbox"/> Water	<input type="checkbox"/> 304 <input type="checkbox"/> 201 <input type="checkbox"/> S/S door <input type="checkbox"/> Glass door	<input checked="" type="checkbox"/> 220V/50Hz <input type="checkbox"/> 110V/60Hz <input type="checkbox"/> 220V/60Hz	Top depth: 700 Body depth: 700	<input type="checkbox"/> Yes <input checked="" type="checkbox"/> No <input type="checkbox"/> Others: _____	<input type="checkbox"/> No <input checked="" type="checkbox"/> Yes <input type="checkbox"/> Others: _____	<input checked="" type="checkbox"/> All in one <input type="checkbox"/> Split Distance ___M