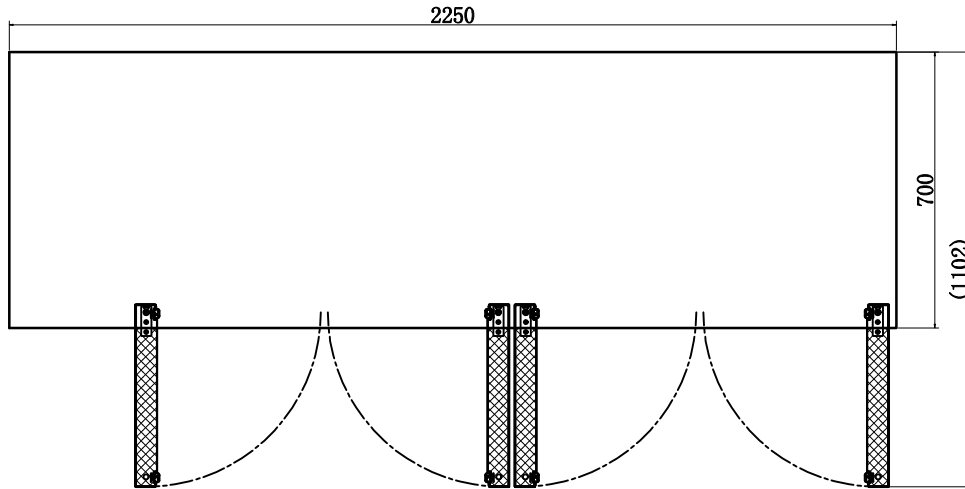
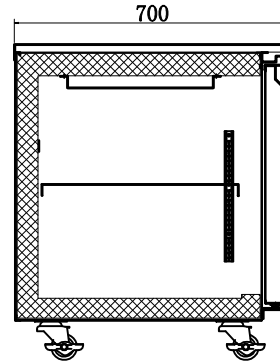
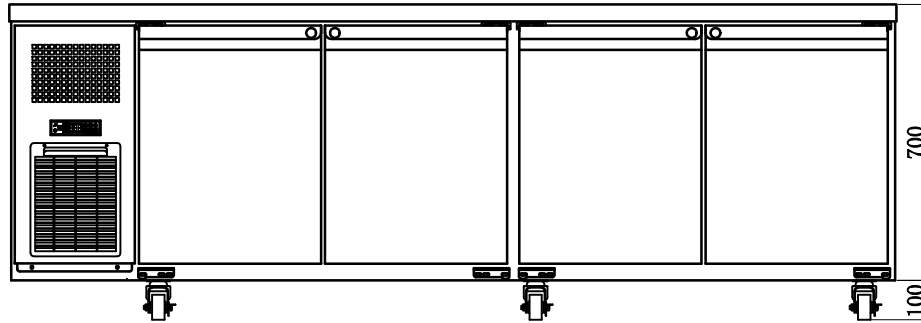


CUR225-4



- 1.ARC body
- 2.Front 2 wheels with brakes

User By
Date 2019.11.13
Drawing Number
Version Number
Product Code
Designed By
Drawn By
Craft BY
Checked By
Approved BY
Validation By

1.Name	2.Size	3.Temp range	4.Unit position	5.Cooling mode	6.Door type	7.Voltage	8.Depth	9.Backrest	10.V-cut	11.Unit	Notes
2.25M Horizontal refrigerator	L: 1800 D: 700 H: 800 Unit: mm	<input type="checkbox"/> 2~+8℃ <input checked="" type="checkbox"/> -6~+15℃ <input type="checkbox"/> -18~-22℃	<input checked="" type="checkbox"/> Left <input type="checkbox"/> Right <input type="checkbox"/> Others: _____	<input checked="" type="checkbox"/> Fan <input type="checkbox"/> Water	<input type="checkbox"/> 304 <input type="checkbox"/> 201 <input type="checkbox"/> S/S door <input type="checkbox"/> Glass door	<input checked="" type="checkbox"/> 220V/50Hz <input type="checkbox"/> 110V/60Hz <input type="checkbox"/> 220V/60Hz	Top depth: 700 Body depth: 700	<input type="checkbox"/> Yes <input checked="" type="checkbox"/> No <input type="checkbox"/> Others: _____	<input type="checkbox"/> No <input checked="" type="checkbox"/> Yes <input type="checkbox"/> Others: _____	<input checked="" type="checkbox"/> All in one <input type="checkbox"/> Split Distance ___M	