



DEVON

830mm height

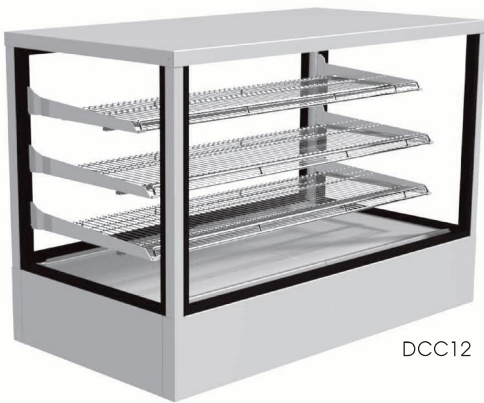
GlassMax
canopy with
stainless steel
lid

GoldenGlow
halogen
lighting

Height
adjustable
and 'tiltable'
shelving:
4 display
levels

Flush finished
base



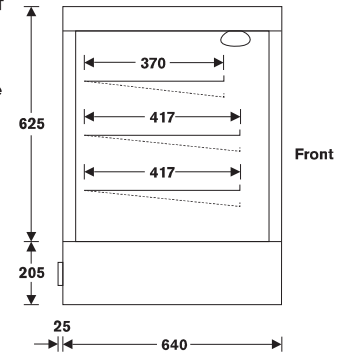


DCC12

STANDARD FEATURES

- › **GlassMax** minimalist canopy (more glass/less frame) that maximises the visibility of displayed food from all angles
- › Stainless steel top
- › **MiniTek** compact refrigeration technology built into base of cabinet. No bench cut-outs or condenser installation required and cabinet is freely moveable across benches, between benches and to new locations
- › Four food display levels: three shelves plus bottom trays; offering more extensive display area than comparable cabinets
- › Chrome wire shelving system that is height adjustable in 25mm increments and interchangeable between horizontal and tilted positions
- › **CrumbCatch** feature in bottom trays that collects falling crumbs and food
- › High quality European and Japanese refrigeration components
- › Designed to operate at 3 – 5°C in room environments up to **28°C**
- › Fan forced air flow for even temperature distribution
- › **iFrost** intelligent defrost control that minimises time in defrost to better maintain consistent food temperature
- › Refrigeration optimised to provide a high humidity environment that maintains food quality for longer
- › **DuraCoat** system providing a protective coating over the refrigeration coil to prevent food acid corrosion
- › **SureVap** self-evaporating system for condensate—no drain required
- › **SlimLED** under-shelf LED strip lighting with 12V safety
- › **ClearView** front glass for condensation control
- › Rear sliding double-glazed doors on friction-free, low wear tracks (doors removable for cleaning)

SIDE VIEW



minitek
REFRIGERATION TECHNOLOGY

DEVON: CHILLED COMPACT

This innovative and unique cabinet incorporates Festivé’s leading MiniTek technology to deliver the most advanced and flexible countertop on the market—simply plug in and operate.

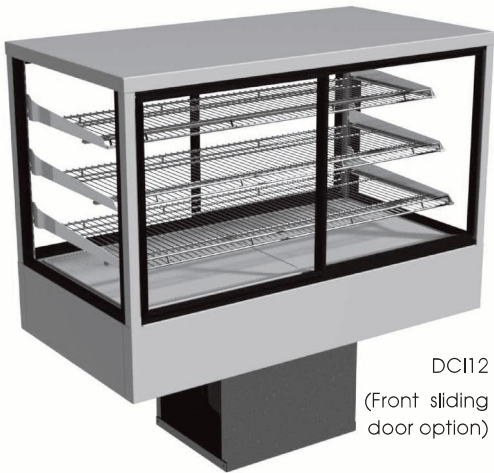
4°C operating temperature

For Factory Options refer to page 54

For Cabinet Accessories refer to page 64

Model	DCC9	DCC12	DCC15	DCC18	DCC24
Length	900mm	1200mm	1530mm	1770mm	2370mm
Depth*	640mm	640mm	640mm	640mm	640mm
Height	830mm	830mm	830mm	830mm	830mm
Available Display Area	1.35m ²	1.85m ²	2.4m ²	2.7m ²	3.7m ²
Power Connection	10A Plug	10A Plug	10A Plug	10A Plug	10A Plug

*Add extra 25mm for protruding control panel, switches, and cable exit

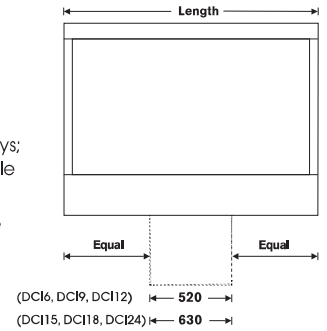


DCI12
(Front sliding door option)

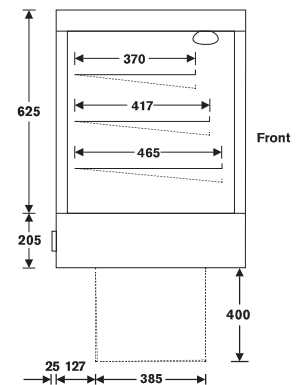
STANDARD FEATURES

- › **GlassMax** minimalist canopy (more glass/less frame) that maximises the visibility of displayed food from all angles
- › Stainless steel top
- › Refrigeration unit provided as condenser in cradle
- › Four food display levels: three shelves plus bottom trays; offering more extensive display area than comparable cabinets
- › Chrome wire shelving system that is height adjustable in 25mm increments and interchangeable between horizontal and tilted positions
- › **CrumbCatch** feature in bottom trays that collects falling crumbs and food
- › High quality European refrigeration components
- › Designed to operate at 3 – 5°C in room environments up to **32°C**
- › Fan forced air flow for even temperature distribution
- › **IFrost** intelligent defrost control that minimises time in defrost to better maintain consistent food temperature
- › Refrigeration optimised to provide a high humidity environment that maintains food quality for longer
- › **DuraCoat** system providing a protective coating over the refrigeration coil to prevent food acid corrosion
- › **SureVap** self-evaporating system for condensate—no drain required
- › **SlimLED** under-shelf LED strip lighting with 12V safety
- › Rear sliding, double-glazed doors on friction-free, low wear tracks (doors removable for cleaning)

REAR VIEW



SIDE VIEW



DEVON: CHILLED INTEGRAL

An elegant countertop cabinet designed to maximise display area, show food with style, and maintain food at the highest quality.

4°C operating temperature

For Factory Options refer to page 54

For Cabinet Accessories refer to page 64

Model	DCI6	DCI9	DCI12	DCI15	DCI18	DCI24
Length	600mm	900mm	1200mm	1530mm	1770mm	2370mm
Depth*	640mm	640mm	640mm	640mm	640mm	640mm
Height	830mm	830mm	830mm	830mm	830mm	830mm
Available Display Area	0,9m ²	1,4m ²	1,9m ²	2,5m ²	2,8m ²	3,8m ²
Power Connection	10A Plug	10A Plug	10A Plug	10A Plug	10A Plug	10A Plug

*Add extra 30mm for protruding control panel, switches and cable exit

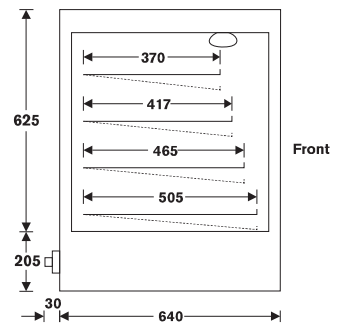


DH9

STANDARD FEATURES

- › **GlassMax** minimalist canopy (more glass/less frame) that maximises the visibility of displayed food from all angles
- › Stainless steel top
- › **GoldenGlow** lighting system, incorporating long life halogen heat lamps, that gives pastries a golden glow
- › Four shelf display levels; offering more extensive display area than comparable cabinets
- › Chrome wire shelving system that is height adjustable in 25mm increments and interchangeable between horizontal and tilted positions
- › High quality European heating and control components
- › Thermostatically controlled to operate at a temperature up to 95°C
- › Fan forced air flow for even heat distribution
- › Rapid response element for better temperature control
- › Rear sliding doors on friction-free, low wear tracks (doors removable for cleaning)

SIDE VIEW



For Factory Options refer to page 54

For Cabinet Accessories refer to page 64

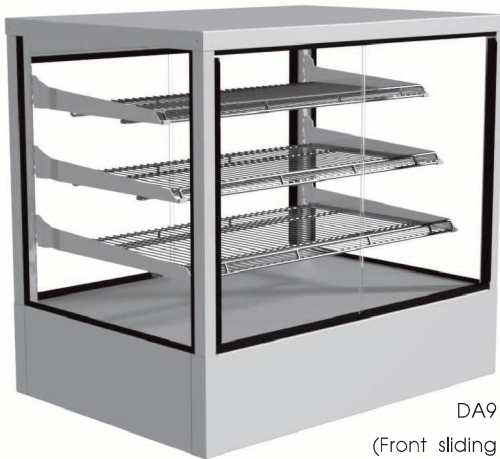
DEVON: HEATED

A stylish heated countertop cabinet that maximises display area and utilises Festivoé's GoldenGlow lighting system to display heated food at its best.

up to 95°C operating temperature

Model	DH6	DH9	DH12	DH15
Length	600mm	900mm	1200mm	1530mm
Depth*	640mm	640mm	640mm	640mm
Height	830mm	830mm	830mm	830mm
Available Display Area	0,9m ²	1,4m ²	1,66m ²	1,94m ²
Power Connection	10A Plug	10A Plug	15A Plug	20A Plug

*Add extra 30mm for protruding control panel, switches and cable exit



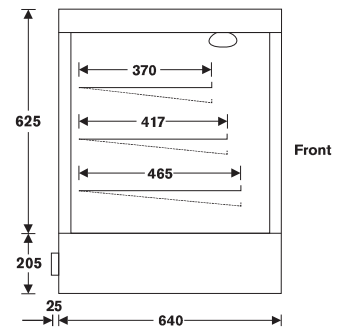
DA9

(Front sliding door option)

STANDARD FEATURES

- › **GlassMax** minimalist canopy (more glass/less frame) that maximises the visibility of displayed food from all angles
- › Stainless steel top
- › Four food display levels: three shelves plus base; offering more extensive display area than comparable cabinets
- › Chrome wire shelving system that is height adjustable in 25mm increments and interchangeable between horizontal and tilted positions
- › **SlimLED** under-shelf LED strip lighting with 12V safety
- › Top venting to allow heat dissipation
- › Rear sliding doors on friction-free, low wear tracks (doors removable for cleaning)

SIDE VIEW



For Factory Options refer to page 54

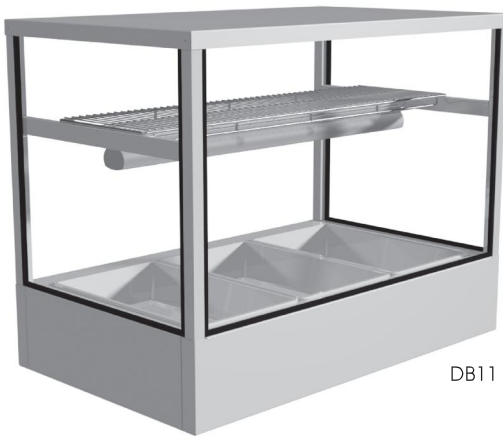
For Cabinet Accessories refer to page 64

DEVON: AMBIENT

An elegant counter-top ambient cabinet that maximises display area, shows off food and provides a consistent look across a line-up of other Devon cabinets.

Model	DA6	DA9	DA12	DA15	DA18	DA24
Length	600mm	900mm	1200mm	1530mm	1770mm	2370mm
Depth*	640mm	640mm	640mm	640mm	640mm	640mm
Height	830mm	830mm	830mm	830mm	830mm	830mm
Available Display Area	0.9m ²	1.4m ²	1.9m ²	2.5m ²	2.8m ²	3.8m ²
Power Connection	10A Plug	10A Plug	10A Plug	10A Plug	10A Plug	10A Plug

**Add extra 25mm for protruding control panel, switches and cable exit*

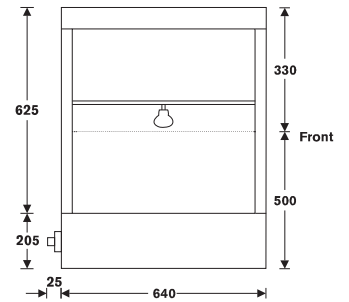


DB11

STANDARD FEATURES

- › **GlassMax** minimalist canopy (more glass/less frame) that maximises the visibility of displayed food from all angles
- › Stainless steel top
- › Open at rear (no doors)
- › Internal chrome wire shelf for holding plates
- › **DoubleJacket** long life halogen heat lamps mounted under shelf
- › Gastronorm pans not supplied with unit
- › Fixed front glass
- › Thermostatically controlled to operate at a temperature up to 95°C
- › Drain with faucet built in
- › Can be operated wet or dry

SIDE VIEW



For Factory Options refer to page 54

For Cabinet Accessories refer to page 64

DEVON: BAIN MARIE

An elegant looking Bain Marie cabinet that enhances the presentation of food. Looks great in any environment.

up to 95°C operating temperature

Model	DB7	DB11	DB14	DB17	DB20
Length	745mm	1070mm	1395mm	1720mm	2045mm
Depth*	640mm	640mm	640mm	640mm	640mm
Height	830mm	830mm	830mm	830mm	830mm
No. of Gastro 1/1 Pans**	2	3	4	5	6
Power Connection	10A Plug	15A Plug	20A Plug	Fixed Wiring	Fixed Wiring

*Add extra 30mm for protruding control panel, switches and cable exit

**Up to 100mm deep. (Gastronorm pans not supplied)

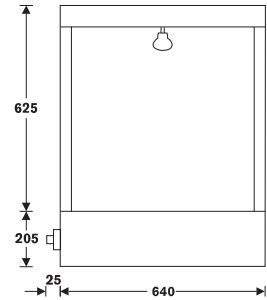


DHD14

STANDARD FEATURES

- › Minimalist canopy (more glass/less frame) that maximises the visibility of displayed food from all angles
- › Stainless steel top
- › Tempered glass deck
- › Open at rear (no doors)
- › **DoubleJacket** long life halogen heat lamps mounted under top
- › Fixed front glass
- › Thermostatically controlled to operate at a temperature up to 120°C

SIDE VIEW



For Factory Options refer to page 54

For Cabinet Accessories refer to page 64

DEVON: HOT DECK

For gourmet food presentation this hot deck cabinet provides the class the food deserves.

up to 120°C operating temperature

Model	DHD8	DHD11	DHD14	DHD18
Length	780mm	1110mm	1440mm	1760mm
Depth*	640mm	640mm	640mm	640mm
Height	830mm	830mm	830mm	830mm
Hot Plate (L x D)	702 x 580mm	1030 x 580mm	1358 x 580mm	1686 x 580mm
Power Connection	10A Plug	10A Plug	15A Plug	15A Plug

**Add extra 30mm for protruding control panel, switches and cable exit*