



Sinks and Basins

3monkeez[®]
innovate. create. deliver.

3monkeez

www.3monkeez.com.au

sales@3monkeez.com.au

The Stainless Steel Advantage

Contents

1.2mm Hand Fabricated Premium Bowls	3	Public Amenities Hand Basin	19
1.5mm Hand Fabricated Premium Bowls	4	Round Wall Mounted Drinking Fountain with Bubbler Landing	20
1.2mm Hand Fabricated Economy Bowls	5	Round Disabled Compliant Hand Basin	21
1.5mm Laboratory Bowls	6	Square Disabled Compliant Hand Basin	22
Pressed Sink Bowls	7	Hands Free Knee Operated Basin	23
Round Pressed Sink Bowls	8	Hands Free Knee Operated Basin - Timed Flow	24
Inset Sink	9	Round Hands Free Knee Operated Basin - Timed Flow	25
Inset Bar Sink	10	Cleaners Sink with Brackets	26
Inset Hand Basin	11	Cleaners Sink with Legs	27
Wall Mounted Hand Basin	12	Conical Flushing Rim Sink - 350mm	28
Compact 11L Hand Basin	13	Conical Flushing Rim Sink - 450mm	29
Wall Mounted Hand Basin with Splashback	14	Square to Conical Flushing Rim Sink - 350mm	30
Round Hand Basin	15	Square to Conical Flushing Rim Sink - 450mm	31
Round Hand Basin with 300mm Shroud	16		
Corner Hand Basin	17		
Compact Hand Basin	18		



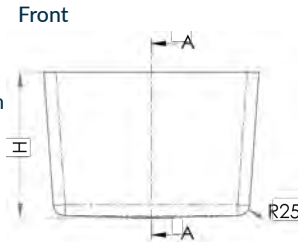
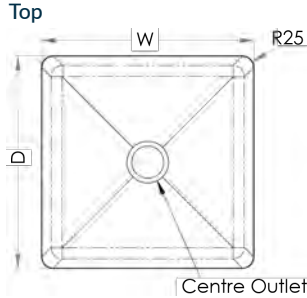
Sinks & Basins



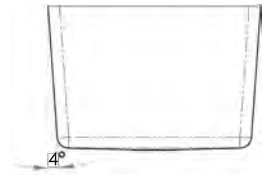
1.2mm Hand Fabricated Premium Bowls



- Standard outlet sizes as per chart
- Directional satin polish
- 90mm outlet available on request for HF10 and HF12 - This outlet suits BW90S, BW90L, SSBW, SCRAP-S-90, SCRAP-S-90-316
- 127mm outlet available on request. This outlet suits SSBW-1, SCRAP-S and SCRAP-S316
- Centre outlet
- Cross breaks to the outlet
- Raw edge ready for welding
- Sound deadening material on bottom
- One piece construction
- Custom sizes available on request - lead times apply



Cross Section



1.2MM 304 GRADE STAINLESS STEEL

PRODUCT CODE	W (mm)	D (mm)	H (mm)	OUTLET	CAPACITY
HF10	300	250	200	50	13.3L
HF12	300	300	200	50	16.5L
HF13	350	300	300	90	27.5L
HF16	350	450	300	90	42.5L
HF14	400	350	300	90	37.5L
HF11	400	400	300	90	43.3L
HF15	450	300	300	90	36L
HF453520	450	350	200	90	31.5L
HF20	450	400	300	90	49L
HF17	450	450	300	90	55.5L
HF504030	500	400	300	90	56L
HF505040	500	500	400	90	100L
HF18	530	380	300	90	55.3L
HF21	550	450	300	90	68.5L
HF19	600	450	300	90	75L
HF22	800	500	300	90	113L



Sinks & Basins



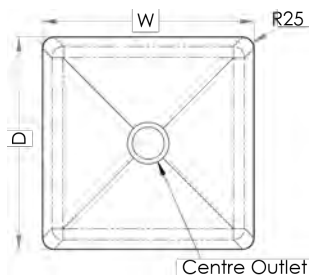
1.5mm Hand Fabricated Premium Bowls



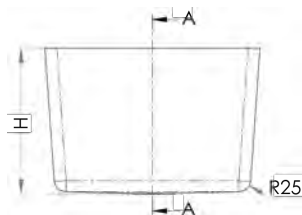
- Standard outlet sizes as per chart
- Directional satin polish
- 90mm outlet available on request. This outlet suits BW90S, BW90L, SSBW, SCRAP-S-90, SCRAP-S-90-316
- 127mm outlet available on request. This outlet suits SSBW-1, SCRAP-S and SCRAP-S316
- Centre outlet
- Cross breaks to the outlet
- Raw edge ready for welding
- Sound deadening material on bottom
- One piece construction
- Custom sizes available on request - lead times apply



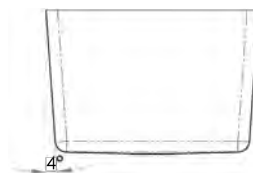
Top



Front



Cross Section



1.5MM 316 GRADE STAINLESS STEEL

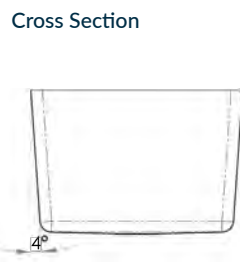
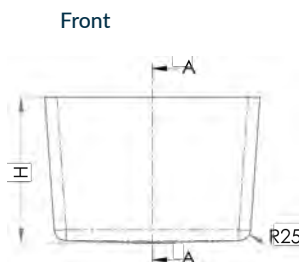
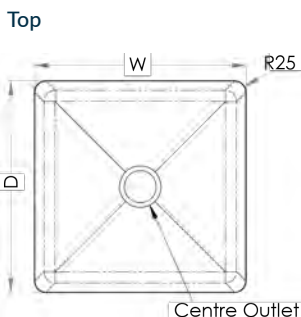
PRODUCT CODE	W (mm)	D (mm)	H (mm)	OUTLET	CAPACITY
HF14-316	400	350	300	50	37.5L
HF11-316	400	400	300	50	43.3L
HF20-316	450	400	300	50	49L
HF17-316	450	450	300	50	55.5L
HF19-316	600	450	300	50	75L

Sinks & Basins



1.2mm Hand Fabricated Economy Bowls

- Standard outlet sizes as per chart
- 90mm outlet available on request for HFS10 and HFS12. This outlet suits BW90S, BW90L, SSBW, SCRAP-S-90, SCRAP-S-90-316
- 127mm outlet available on request. This outlet suits SSBW-1, SCRAP-S and SCRAP-S316
- Centre outlet
- Cross breaks to the outlet
- Raw edge ready for welding
- Sound deadening material on bottom



1.2MM 304 GRADE STAINLESS STEEL

PRODUCT CODE	W (mm)	D (mm)	H (mm)	OUTLET	CAPACITY
HFS10	300	250	200	50	13.3L
HFS12	300	300	200	50	16.5L
HFS16	350	450	250	90	36L
HFS14	400	350	250	90	32L
HFS11	400	400	250	90	36.5L
HFS20	450	400	250	90	41.5L
HFS17	450	450	250	90	47L
HFS19	600	450	250	90	63L

Sinks & Basins

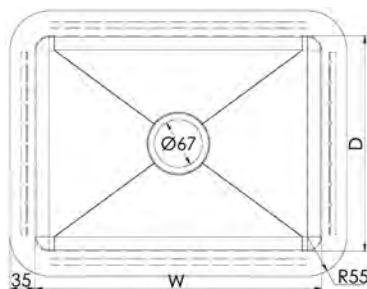


1.5mm Laboratory Bowls



- Constructed from 1.5mm acid resistant 316 grade stainless steel
- Satin finish
- 50mm centre outlet suits 50mm plug and waste or 50mm Scraptrap
- 90mm or 127mm outlet available on request. These outlets suit the Scraptrap range
- Cross breaks to the outlet
- 35mm flange
- Includes fixing clips and cut out template

Top



Front



Side



1.2MM 304 GRADE STAINLESS STEEL

PRODUCT CODE	W (mm)	D (mm)	H (mm)	OUTLET	CAPACITY
LS-303025	300	300	250	50	22.5L
LS-403025	400	300	250	50	30L
LS-453525	450	350	250	50	39.4L

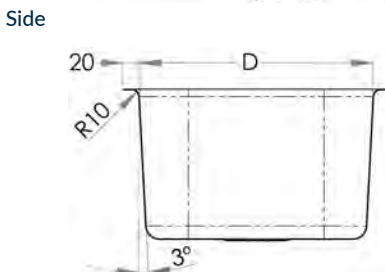
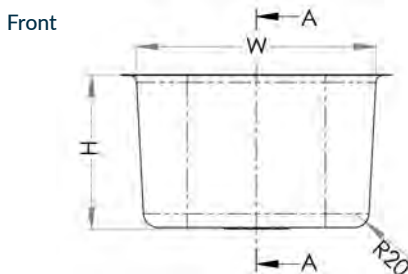
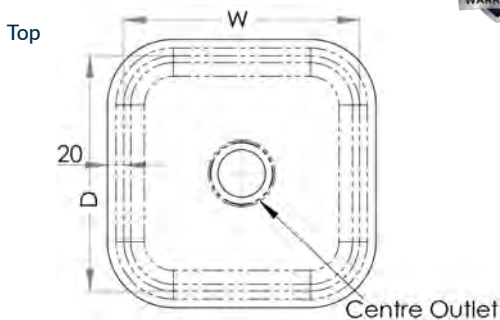
Sinks & Basins



Pressed Sink Bowls



- Constructed from 1mm 304 grade stainless steel
- 20mm flange
- Centre outlet
- Satin polish finish



PRODUCT CODE	W (mm)	D (mm)	H (mm)	OUTLET	CAPACITY
PB01	250	140	110	40	3L
PB02	290	250	165	50	10.4L
PB06	330	330	210	50	20.4L
PB08	350	250	170	50	13.1L
PB14	400	340	200	50	24.6L
PB20	450	380	200	50	31.4L
PB23	520	370	210	50	37L

Sinks & Basins



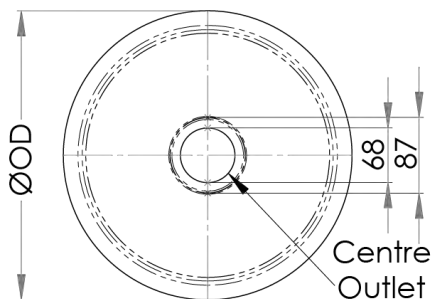
Round Pressed Sink Bowls



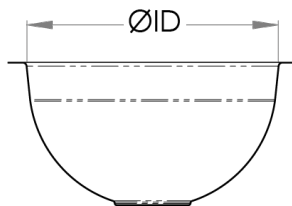
- Constructed from 1mm 304 grade stainless steel
- 20mm flange
- 50mm centre outlet - suits 50mm plug and waste or 50mm Scraptrap
- Mirror polish finish



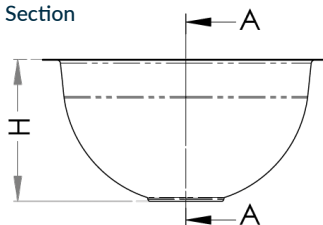
Top



Front



Cross Section



PRODUCT CODE	W (mm)	D (mm)	H (mm)	OUTLET	CAPACITY
RB300	340	300	165	50	8.3L
RB385	425	385	165	50	10.3L

Sinks & Basins



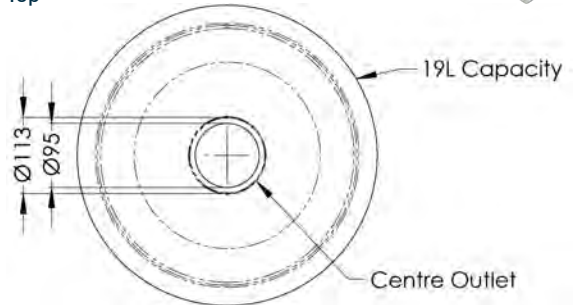
Inset Sink



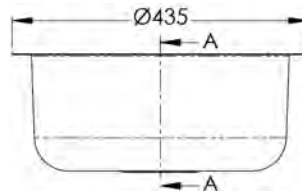
RBF385

- 19 litre capacity
- Constructed from 0.9mm 304 grade stainless steel
- 25mm polished flange
- 90mm centre outlet
- Can be inset in any bench top
- Mirror polish finish

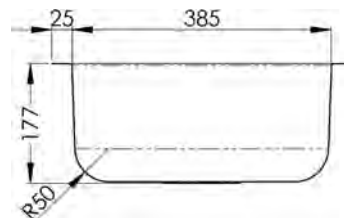
Top



Front



Side



Sinks & Basins



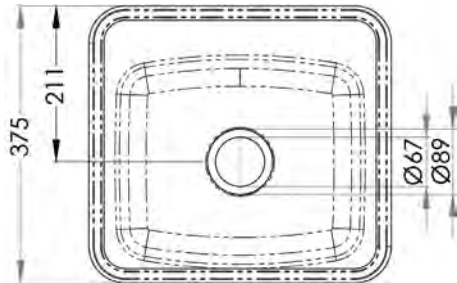
Inset Bar Sink



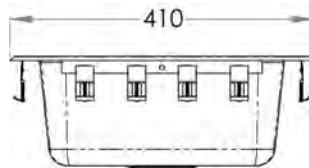
HBF

- 11.1 litre capacity
- Constructed from 0.9mm 304 grade stainless steel
- 50mm centre outlet suits 50mm plug and waste and 50mm Scraptrap
- Mirror polish finish
- Comes complete with fixing clips and seal
- Tap holes on request - Left or Right

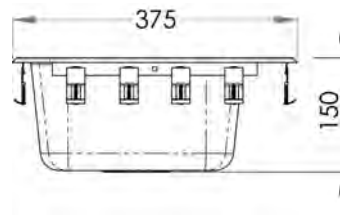
Top



Front



Side



Sinks & Basins



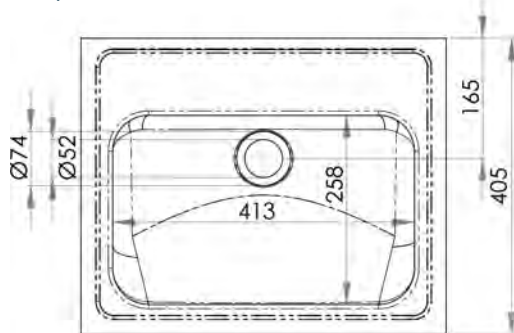
Inset Hand Basin



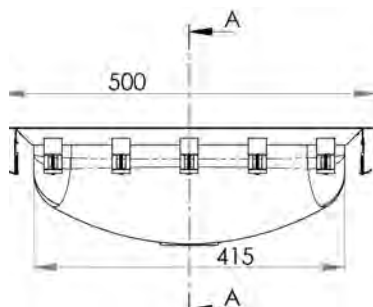
HBF01

- 11.5 litre capacity
- Constructed from 1mm 304 grade stainless steel
- Mirror polish finish
- 40mm outlet - Suits PW40 & SSBW-40
- Comes complete with fixing clips and seal
- Available in 1, 2 and 3 tap hole configurations on request

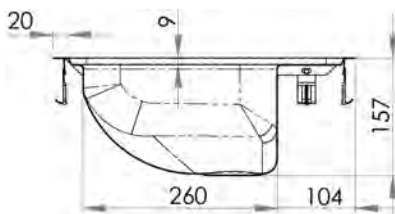
Top



Front



Cross Section



Sinks & Basins



Wall Mounted Hand Basin



HB

HB-1TH

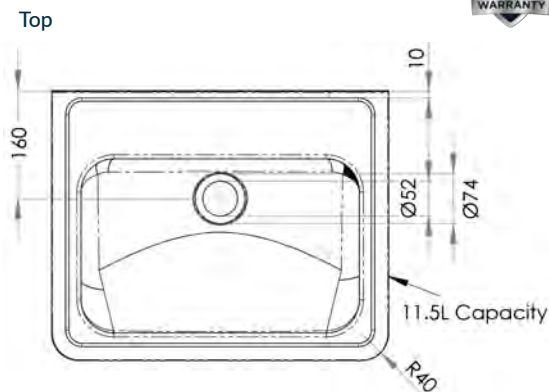
HB-2TH

HB-3TH

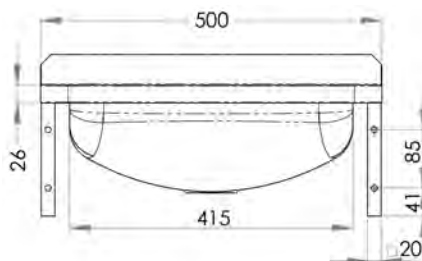
HBB (*Hand basin wall brackets*)

Brackets sold separately

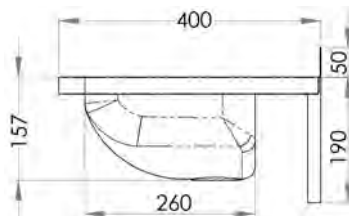
- 11.5 litre capacity
- Constructed from 1mm 304 grade stainless steel
- Radius fascia for safety
- Wall mounted
- 50mm splashback
- 40mm outlet – Suits PW40 & SSBW-40
- Mirror polish finish
- Available in 1, 2 or 3 tap hole configurations
- Taphole position and size to be indicated when ordering



Front



Cross Section



Use optional SAFETEE-STRIP
for no sharp edges

Sinks & Basins



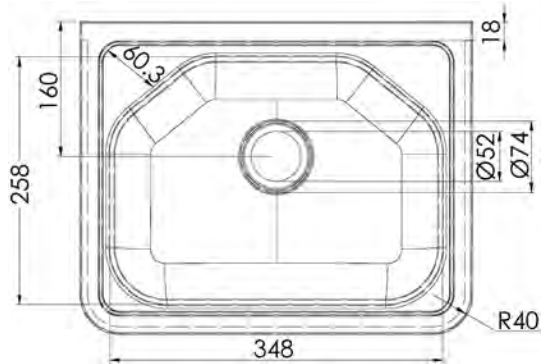
Compact 11L Hand Basin



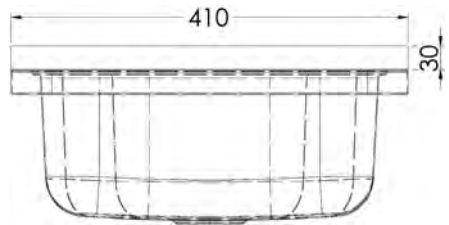
HB11C

- 304 grade stainless steel
- Space saving design
- 11L capacity
- 30mm splashback
- Mirror polish finish
- Full stainless steel brackets
- Complete with 40mm plug and waste
- Left or right tap hole on request
- Taphole position and size to be indicated when ordering

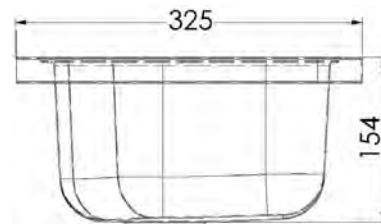
Top



Front



Side



Use optional SAFETEE-STRIP
for no sharp edges

Sinks & Basins



Wall Mounted Hand Basin with Splashback

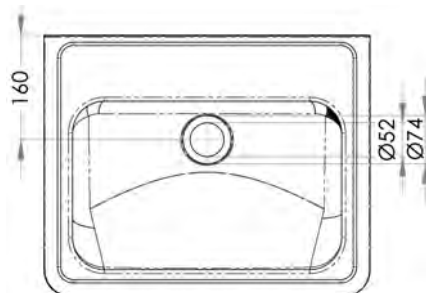


HB300SB

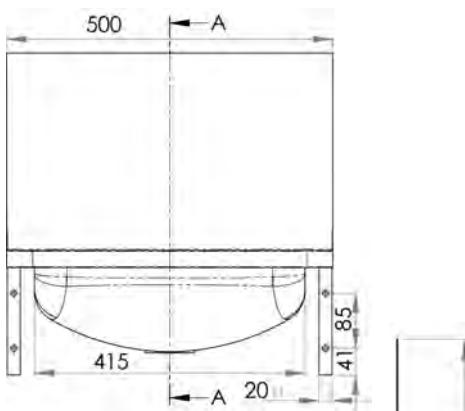
- 11.5 litre capacity
- Constructed from 1mm 304 grade stainless steel
- 300mm splashback
- 40mm outlet - Suits PW40 & SSBW-40
- Comes complete with wall brackets
- Mirror polish finish
- Available in 1, 2 or 3 tap hole configurations
- Taphole position and size to be indicated when ordering



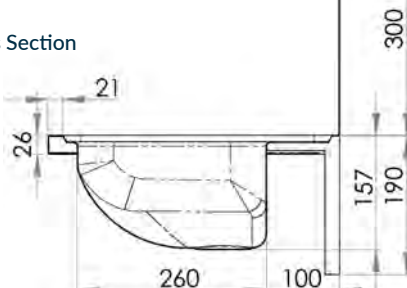
Top



Front



Cross Section



Use optional SAFETEE-STRIP for no sharp edges

Sinks & Basins



Round Hand Basin

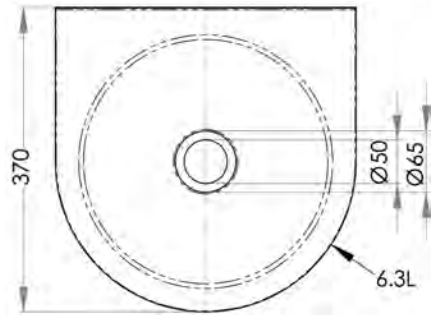


HBR

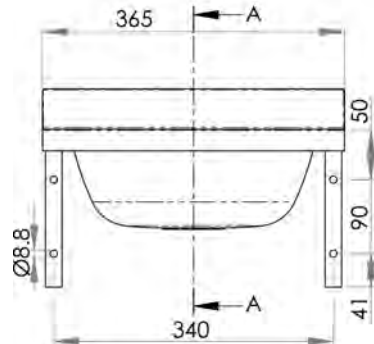
- 6.3 litre capacity
- Constructed from 1mm 304 grade stainless steel
- 300mm bowl diameter
- 50mm splashback
- 40mm outlet – Suits PW40 & SSBW-40
- Comes complete with wall brackets
- Left or right tap holes on request
- Taphole position and size to be indicated when ordering



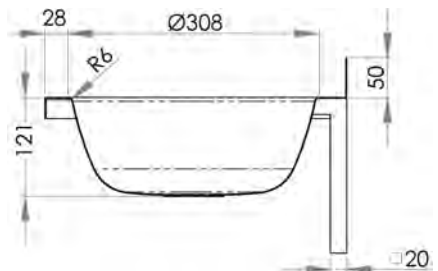
Top



Front



Cross Section



Use optional SAFETEE-STRIP
for no sharp edges

Sinks & Basins



Round Hand Basin with 300mm Shroud

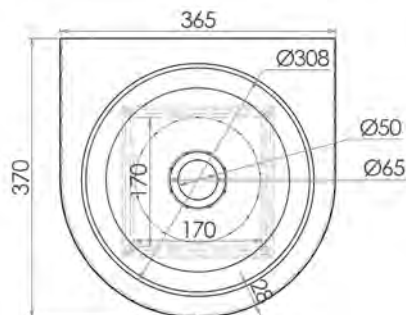


HBRS

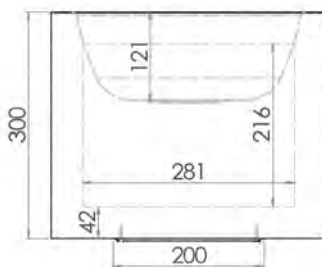
- 6.3 litre capacity
- Constructed from 1mm 304 grade stainless steel
- 300mm shroud
- 300mm bowl diameter
- 40mm outlet – Suits PW40 & SSBW-40
- Integrated wall bracket
- Left or right tap holes on request
- Taphole position and size to be indicated when ordering



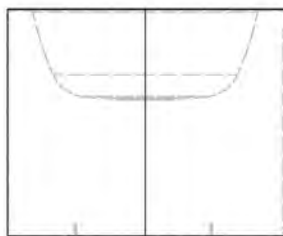
Top



Front



Side



Sinks & Basins



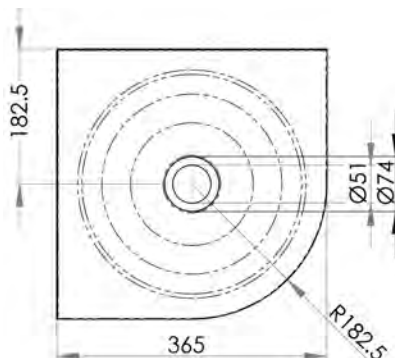
Corner Hand Basin



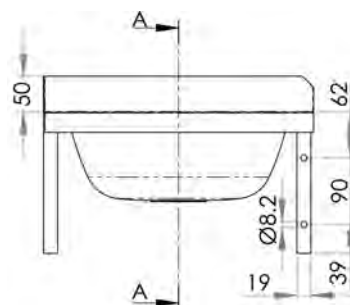
HBCR

- 6.3 litre capacity
- Constructed from 1mm 304 grade stainless steel
- 300mm bowl diameter
- 50mm splashback
- 40mm outlet - Suits PW40 & SSBW-40
- Comes complete with wall brackets
- Left, right or centre tap hole on request
- Taphole position and size to be indicated when ordering

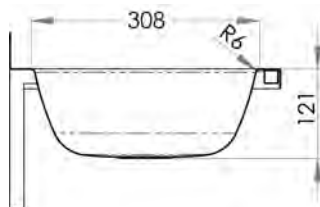
Top



Front



Cross Section



Use optional SAFETEE-STRIP
for no sharp edges

Sinks & Basins



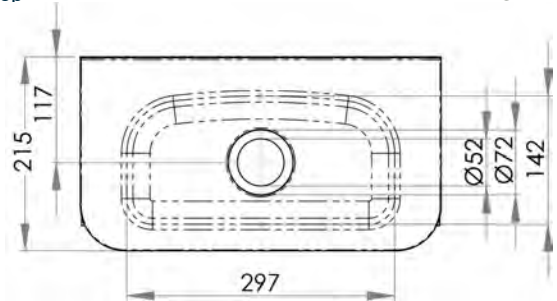
Compact Hand Basin



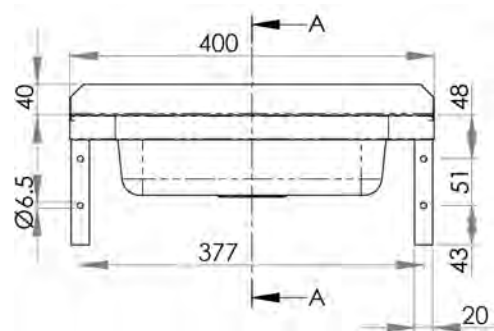
HBC

- 3.1 litre capacity
- Constructed from 1mm 304 grade stainless steel
- Radius fascia for safety
- 40mm splashback
- 40mm outlet – Suits PW40 & SSBW-40
- Comes complete with wall brackets
- Left or right tap hole on request
- Taphole position and size to be indicated when ordering

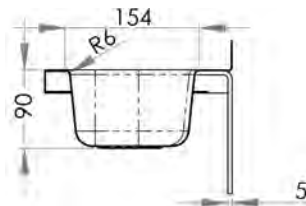
Top



Front



Cross Section



Use optional SAFETEE-STRIP
for no sharp edges

Sinks & Basins



Public Amenities Hand Basin

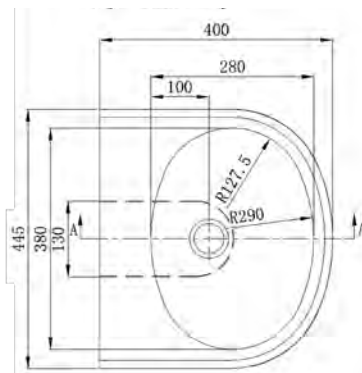


HB-VR

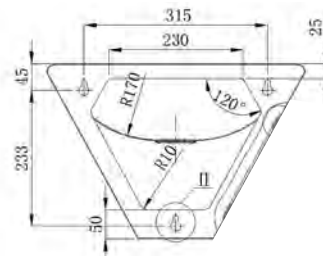
- 7L capacity
- Constructed from 1.2mm 304 grade stainless steel
- Satin finish
- 40mm outlet - Suits PW40 & SSBW-40
- Concealed plumbing
- Suits P trap installation
- Integrated wall bracket
- Access panel with vandal resistant screws
- 80mm rear hob for multiple tapware choices
- Left, right or centre tap holes on request
- Taphole position and size to be indicated when ordering



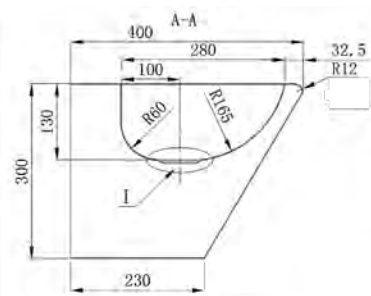
Top



Front



Side



Sinks & Basins



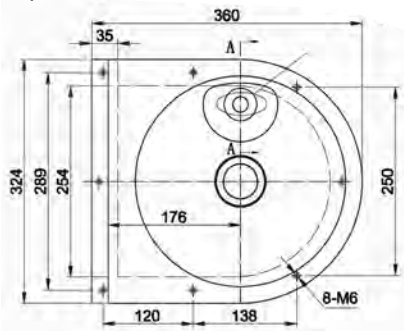
Round Wall Mounted Drinking Fountain with Bubbler Landing



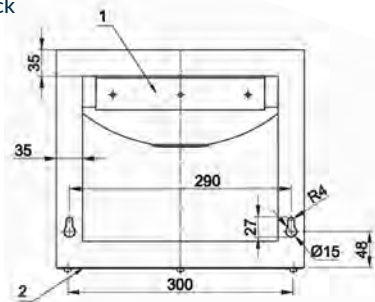
HBR-DF

- 1.2mm 304 grade stainless steel
- 215mm shroud
- 75mm splashback
- 40mm outlet- Suits PW40 & SSBW-40
- Concealed plumbing
- Suits P trap installation
- Integrated wall bracket
- Push button or lever handle bubbler options available

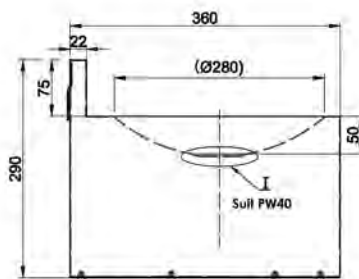
Top



Back



Side



Sinks & Basins



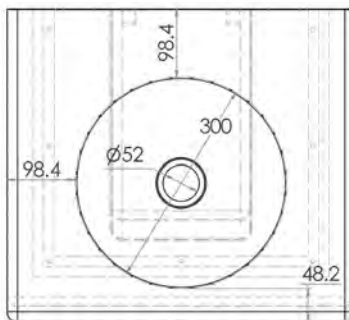
Square Disabled Compliant Hand Basin



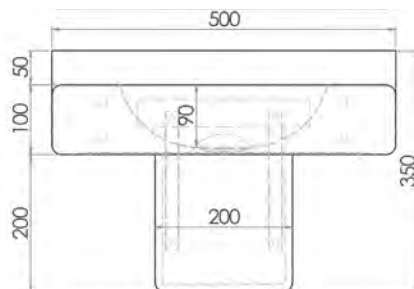
HBD-S

- AS1428 compliant
- 3.5 litre capacity
- Constructed from 1.2mm 304 grade stainless steel
- 300mm diameter bowl
- Satin finish
- 50mm splashback
- 40mm outlet - Suits PW40 & SSBW-40
- Vandal resistant screws
- Concealed plumbing and trap
- Suits compact P trap installation
- Left, right or centre tap holes on request
- Taphole position and size to be indicated when ordering

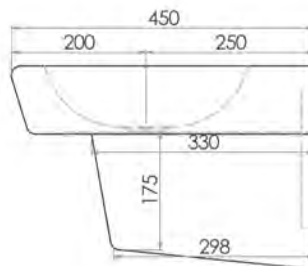
Top



Front



Side



Sinks & Basins



Hands Free Knee Operated Basin

AB-KNEEHBT-1 (with tempering valve)

AB-KNEEHBTMV-1

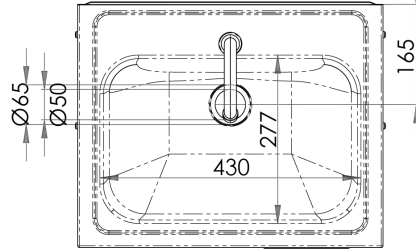
(with thermostatic mixing valve)

AB-KNEEHB-1 (without temperature control valve)

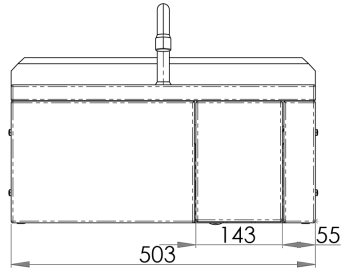
- 11.5L capacity
- Shroud - Constructed from 1.2mm 304 grade stainless steel
- Basin - Constructed from 1mm 304 grade stainless steel
- 50mm splashback
- 40mm outlet – Suits PW40 & SSBW-40
- 500kPa Maximum Working Pressure
- WELS 4 Star 6.5LPM



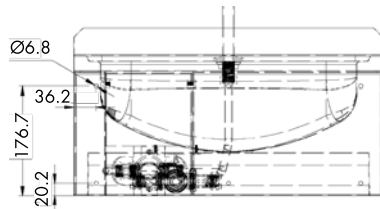
Top



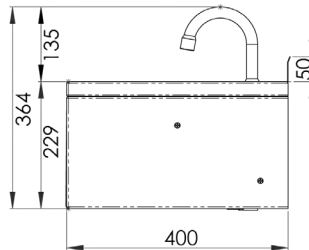
Front



Back



Side



Suggested mounting height from floor level for standard use - 850mm-900mm



Tapware parts have a 2 year onsite warranty

Sinks & Basins



Hands Free Knee Operated Basin - Timed Flow

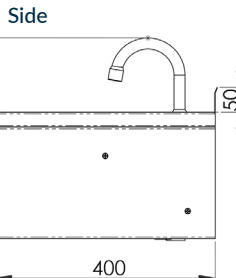
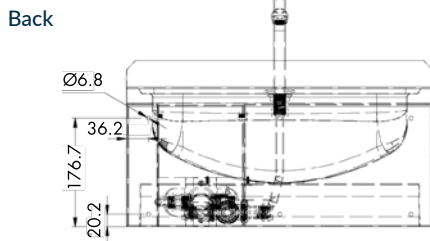
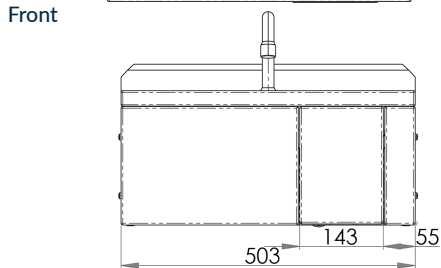
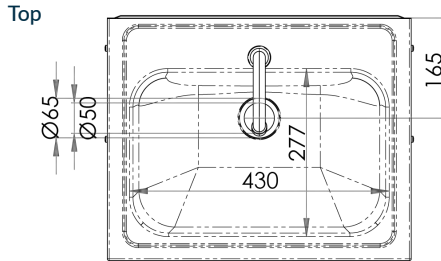


AB-KNEEHBT-TF (with tempering valve)

AB-KNEEHBTMV-TF (with thermostatic mixing valve)

AB-KNEEHB-TF
(without temperature control valve)

- 11.5L capacity
- Shroud - Constructed from 1.2mm 304 grade stainless steel
- Basin - Constructed from 1mm 304 grade stainless steel
- 18 second timed flow
- 50mm splashback
- 40mm outlet - Suits PW40 & SSBW-40
- 500kPa Maximum Working Pressure
- WELS 4 Star 6.5LPM



Suggested mounting height from floor level for standard use - 850mm-900mm



Tapware parts have a 2 year onsite warranty

Sinks & Basins



Round Hands Free Knee Operated Basin - Timed Flow



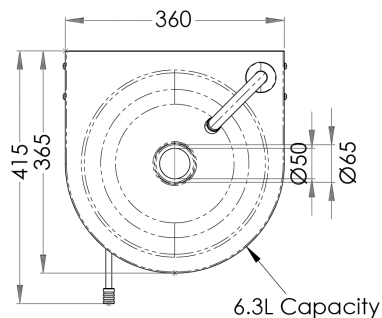
AB-KNEEHB-RT (with tempering valve)

AB-KNEEHB-RTMV (with thermostatic mixing valve)

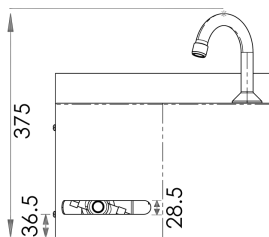
AB-KNEEHB-R
(without tempering valve or thermostatic mixing valve)

- 6.3L capacity
- Shroud - Constructed from 1.2mm 304 grade stainless steel
- Basin - Constructed from 1mm 304 grade stainless steel
- 18 second timed flow
- 50mm splashback
- 40mm outlet - Suits PW40 & SSBW-40
- 500kPa Maximum Working Pressure
- WELS 4 Star 6.5LPM

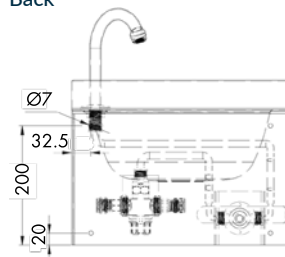
Top



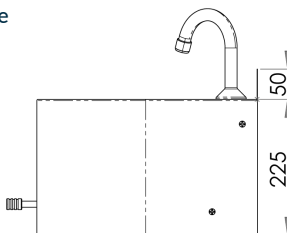
Front



Back



Side



Suggested mounting height from floor level for standard use - 850mm-900mm



Tapware parts have a 2 year onsite warranty

Sinks & Basins



Cleaners Sink with Brackets



AB-CS-B

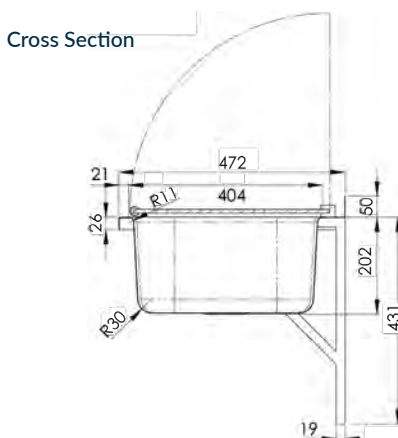
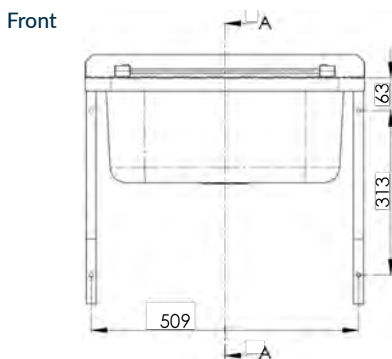
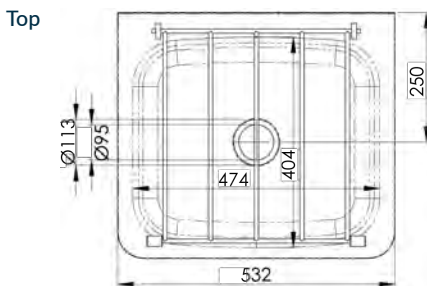
CS-H/CSG (cleaners sink only)

CSB (wall brackets only)

- 31.2L Capacity
- Constructed from 1mm 304 grade stainless steel
- Mirror polish finish
- 50mm splashback
- 90mm outlet - Suits basket waste or 90mm Scraptrap
- Comes complete with hinged grate
- Available with stainless steel wall brackets



Use optional SAFETEE-STRIP for no sharp edges



Sinks & Basins



Cleaners Sink with Legs



AB-CS-L

CS-H/CSG (cleaners sink only)

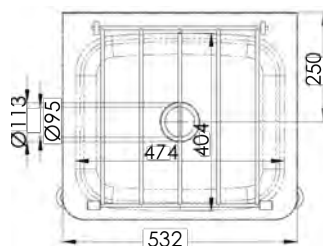
CSL (legs & adjustable feet only)

- 31.2L Capacity
- Constructed from 1mm 304 grade stainless steel
- Mirror polish finish
- 50mm splashback
- 90mm outlet - Suits basket waste or 90mm Scraptrap
- Comes complete with hinged grate
- Available with stainless steel legs with adjustable feet



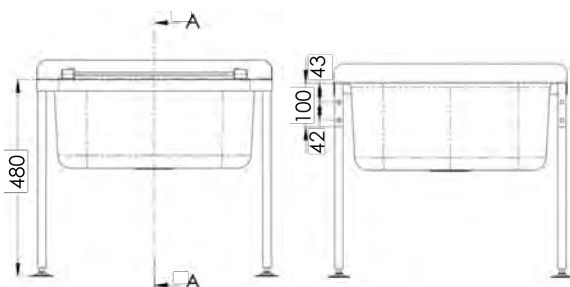
Use optional SAFETEE-STRIP for no sharp edges

Top

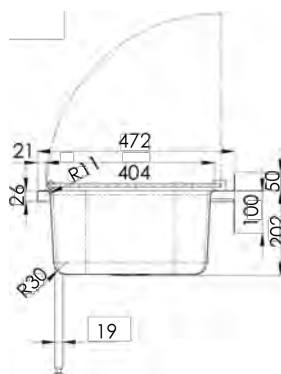


Front

Back



Cross Section



Sinks & Basins



Conical Flushing Rim Sink - 350mm

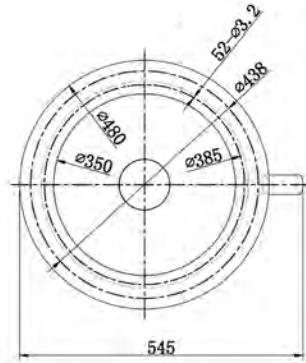
FRSC-DI350-304

FRSC-DI350-316

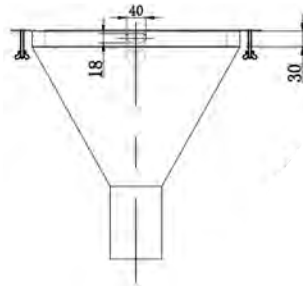
- Available in 1.2mm 304 grade or 316 grade stainless steel
- Integral flange around top of bowl
- 25mm BSP female inlet
- Concealed 25mm diameter flushing rim
- 100mm dropper waste



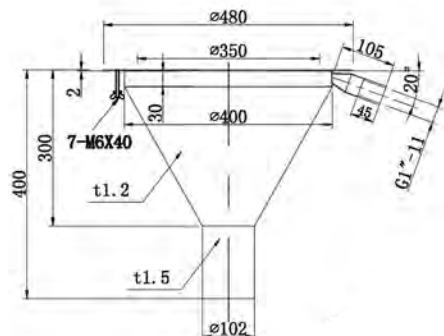
Top



Front



Side



Sinks & Basins



Square to Conical Flushing Rim Sink - 350mm

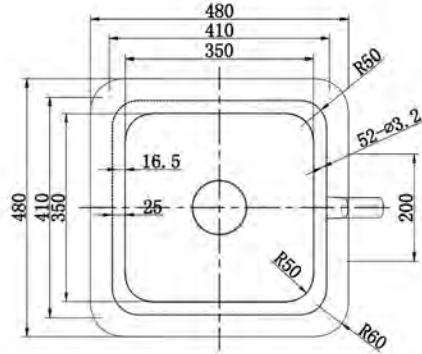


FRSS-DI350-304

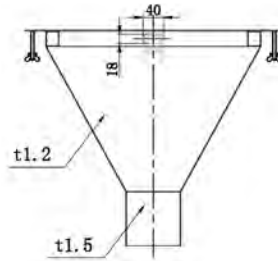
FRSS-DI350-316

- Available in 1.2mm 304 grade or 316 grade stainless steel
- Integral flange around top of bowl
- 25mm BSP female inlet
- Concealed 25mm diameter flushing rim
- 100mm dropper waste

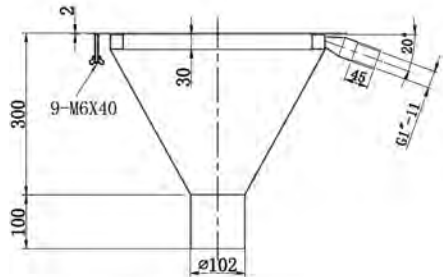
Top



Front



Side



Sinks & Basins



Square to Conical Flushing Rim Sink - 450mm

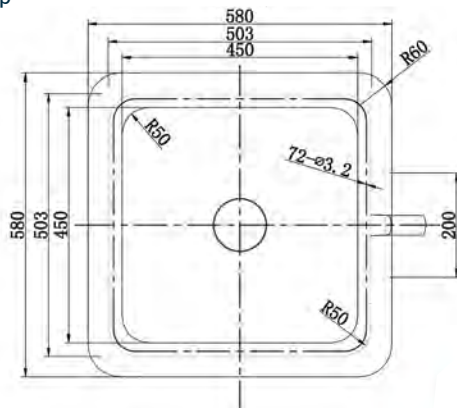


FRSS-DI450-304

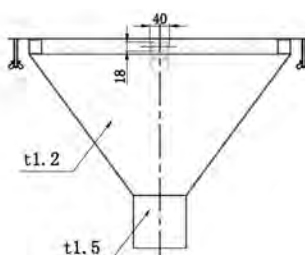
FRSS-DI450-316

- Available in 1.2mm 304 grade or 316 grade stainless steel
- Integral flange around top of bowl
- 25mm BSP female inlet
- Concealed 25mm diameter flushing rim
- 100mm dropper waste

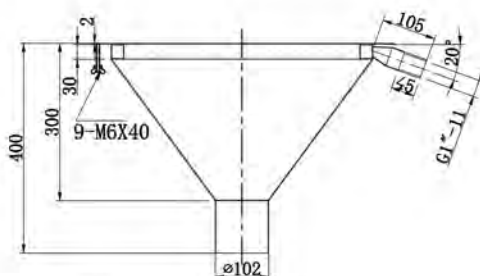
Top



Front



Side





NSW 02 9627 6111

VIC 03 9357 6562

QLD 07 3881 0322

WA 08 6305 0681

SA 0408 299 443

ACT 0408 446 961

TAS 03 6344 7060

NT 0447 382 658

FNQ 07 4775 6956

3monkeez

www.3monkeez.com.au

sales@3monkeez.com.au