

ERGO 100

SERVE-OVER DELI COUNTER



FEATURES INCLUDE:

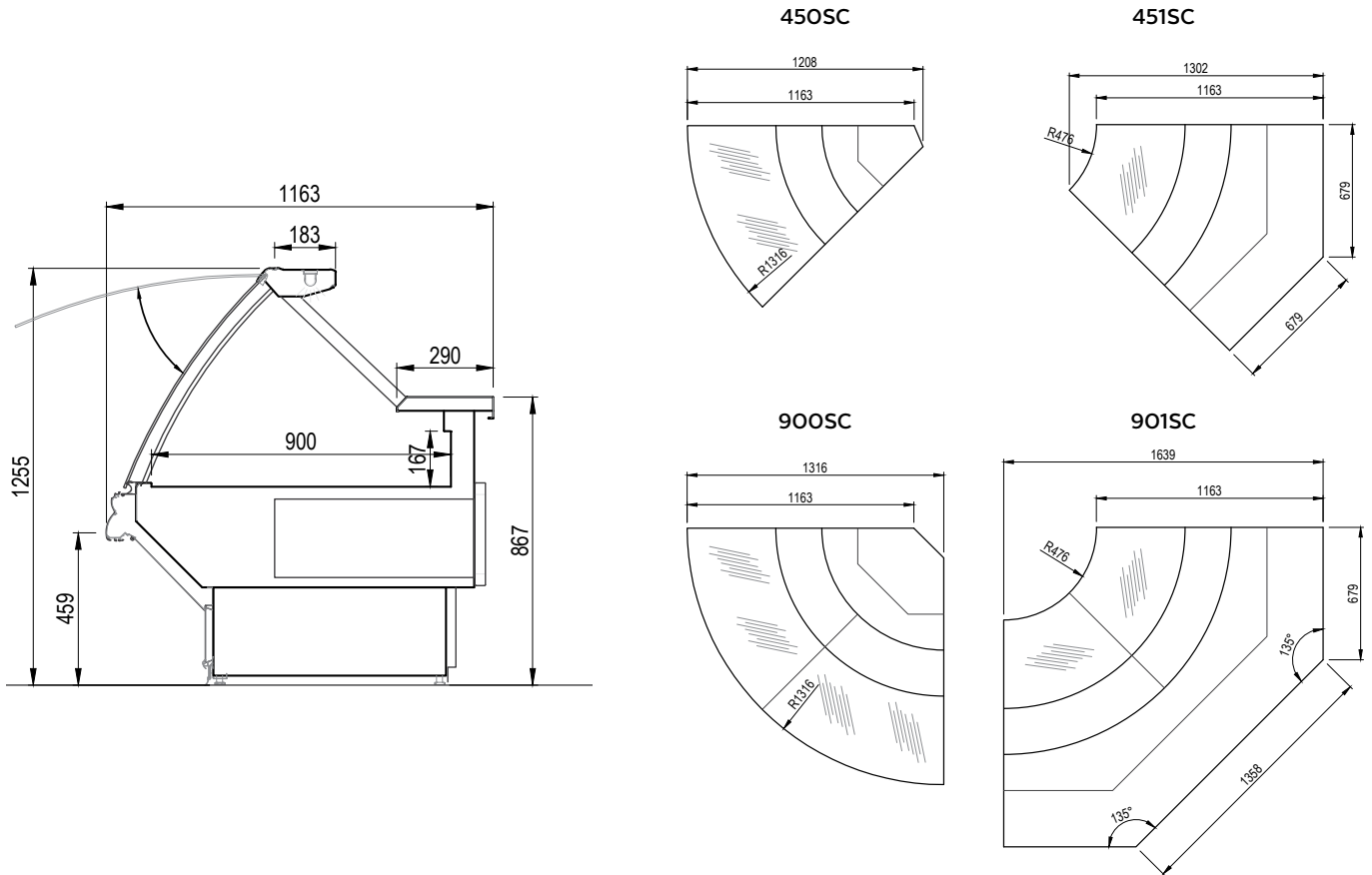
Curved lift up glass front
Front glass demister
Canopy lighting
Refrigerated under storage
Rear perspex slides
Self-service (optional)

Castor wheels (optional)
Evaporator with anti corrosion treatment
Internal air flow controller (fan speed regulator)
Internal in stainless steel AISI 304
Ice tank (optional)

ERGO 100

SERVE-OVER DELI COUNTER

CRIOCABIN
TASTE PRESENTATION



ERGO 100	937	1250	1875	2500	3125	3750	**45 ISC	**90 ISC	**45 OSC	--90 OSC
*Operating Temp (°C)	+2/+4	+2/+4	+2/+4	+2/+4	+2/+4	+2/+4	+2/+4	+2/+4	+2/+4	+2/+4
Refrigeration	Ventilated/R404a									
Defrost	Automatic									
Power Supply	230V/1Ph/10 Amp plug									
Operating Current (Amp)	1.8	1.8	3.5	3.6	5.3	5.4	2.2	2.3	2.5	2.7
Nominal Power (W)	400	410	804	812	1202	1210	496	526	574	604
Energy consumption (kWh/24h)	7.2	7.4	14.5	14.6	21.6	21.8	8.9	9.4	10.3	10.8
Display Surface (m ²)	0.84	1.13	1.69	2.25	2.81	3.38	0.48	0.72	0.96	1.44
Length (mm) with endwall	1047	1360	1985	2610	3235	3860	Refer to layouts			
ABS endwall thickness (mm)	55	55	55	55	55	55	55	55	55	55
Height w/o castors (mm)	1255	1255	1255	1255	1255	1255	1255	1255	1255	1255
Height incl. castors (mm)	1341	1341	1341	1341	1341	1341	1341	1341	1341	1341
Depth w/o bumpers (mm)	1160	1160	1160	1160	1160	1160	1160	1160	1160	1160
Depth w bumpers (mm)	1183	1183	1183	1183	1183	1183	1183	1183	1183	1183
Weight w/o packaging (kg)	150	175	225	300	375	450	135	270	120	240

* Climate class 3 (25°C, 60%R/H)

-- not suitable for stand-alone use

** 45°OSC supplied without condensing unit. Connect to adjacent straight section. Corners must always be multiplexed with 2 straight sections.