

KEY FEATURES

- 4 sizes available 305, 610, 915 and 1220mm.
- High performance even heat 28mj gas open burners and griddle options.
- Pilot light standard maximising operating and energy efficiency.
- Heavy duty removable, easy clean cast iron trivets.
- Combination cooktops providing flexibility of configuration to suit any application.
- Option of stand or bench mounted.
- Heavy duty fully welded steel body ensures rigidity and durability.
- Stainless steel fascia and sides, spill zones and drip trays for ease of cleaning.
- 12 months parts & labour warranty.
- 10 year parts availability guarantee.
- Australian born & bred.



PFB-24



PFB-36

MODELS

PFB-12

+ Griddle options

PFB-24

+ Griddle options

PFB-36

+ Griddle options

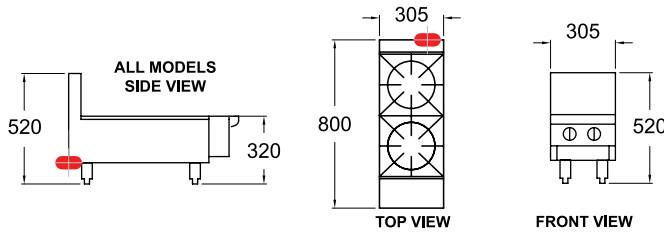
PFB-48

+ Griddle options



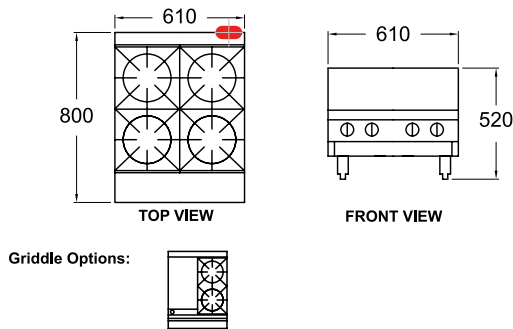
PFB-12G-6

PFB-12



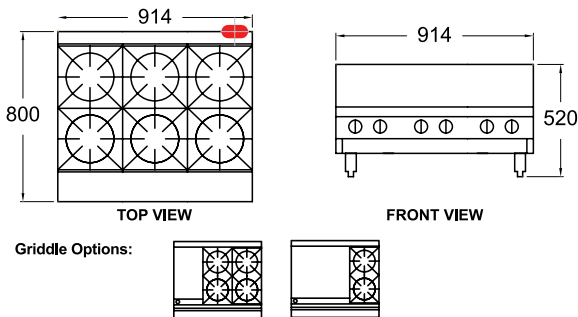
MODEL: PFB-12 Specifications:	
Dimensions (WxDxH):	305 x 800 x 520 mm
Working Height:	320 mm
Burners:	2
Weight:	43 kg
Packed:	0.1 m ³
Rating:	52 Mj
Size:	19 mm BSP

PFB-24 / PFB-12G-2



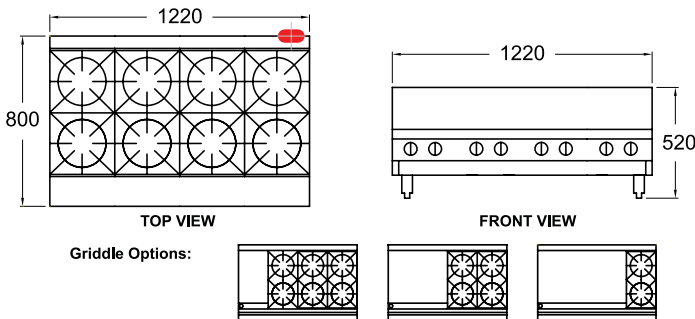
MODEL: PFB-24 / PFB-12G-2 Specifications:	
Dimensions (WxDxH):	610 x 800 x 520 mm
Working Height:	320 mm
Burners:	4 or 2
Weight:	68 or 90 kg
Packed:	0.3 m ³
Optional Griddle Size:	305 x 20 mm
Rating:	104 or 69 Mj
Size:	19 mm BSP

PFB-36 / PFB-24G-2



MODEL: PFB-36 / PFB-24G-2 Specifications:	
Dimensions (WxDxH):	914 x 800 x 520 mm
Working Height:	320 mm
Burners:	6 or 4 or 2
Weight:	Up to 111 kg
Packed:	0.4 m ³
Optional Griddle Size:	610 / 305 x 20 mm
Rating:	Up to 156 Mj
Size:	19 mm BSP

PFB-48 / PFB-24G-4 / PFB-36G-2



MODEL: PFB-48 / PFB-24G-4 / PFB-36G-2 Specifications:	
Dimensions (WxDxH):	1220 x 800 x 520 mm
Working Height:	320 mm
Burners:	8 or 6 or 4 or 2
Weight:	Up to 154 kg
Packed:	0.5 m ³
Optional Griddle Size:	915 / 610 / 305 x 20 mm
Rating:	Up to 208 Mj
Size:	19 mm BSP

Goldstein Eswood continually works on improving our products, so dimensions may change without notice. For any construction critical dimensions please check with us.



GOLDSTEIN ESWOOD
211 - 217 Woodpark Rd SMITHFIELD NSW 2164
T: 1800 013 123 F: 02 96045420
E: sales@goldsteineswood.com.au



QC2900 2 NOVEMBER 2008
Certified System
Quality
Head Office
ISO 9001
FRAN GLOBAL