



REGENT

1095mm height

SlimLED
under-shelf
LED strip
lighting



GlassMax
canopy
with **Mitrex**
frame and
glass top

Height
adjustable
and 'tiltable'
shelving:
4 display
levels

Flush finished
base

Swivel and
lockable
castors

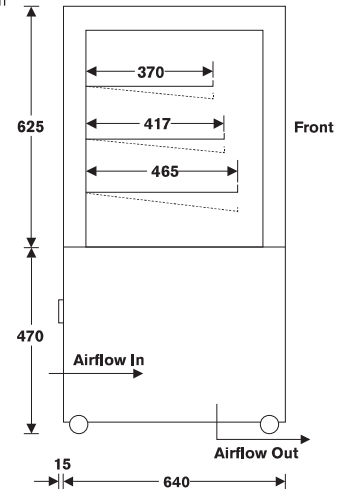


RC12

STANDARD FEATURES

- › **GlassMax** minimalist canopy (more glass/less frame) that maximises the visibility of displayed food from all angles
- › Full glass top for top down viewing of displayed food
- › **Mitrex** frame that is flush welded with mitred joints to give both robustness and a designer finish
- › Four food display levels: three shelves plus bottom trays; offering more extensive display area than comparable cabinets
- › Chrome wire shelving system that is height adjustable in 25mm increments and interchangeable between horizontal and tilted positions
- › **CrumbCatch** feature in bottom trays that collects falling crumbs and food
- › High quality European refrigeration components
- › Designed to operate at 3 – 5°C in room environments up to 32°C
- › Fan forced air flow for even temperature distribution
- › **Frost** intelligent defrost control that minimises time in defrost to better maintain consistent food temperature
- › Refrigeration optimised to provide a high humidity environment that maintains food quality for longer
- › **DuraCoat** system providing a protective coating over the refrigeration coil to prevent food acid corrosion
- › **SureVap** self-evaporating system for condensate—no drain required
- › Condenser air vented through base—no unsightly vents
- › **SlimLED** under-shelf LED strip lighting with 12V safety
- › Rear sliding, double-glazed doors on friction-free, low wear tracks (doors removable for cleaning)
- › Mounted on swivel and lockable castors allowing easy movement of cabinet

SIDE VIEW



REGENT: CHILLED

This elegant serve-over cabinet is designed to provide maximum interaction between staff and customers. With its elegant glass top the Regent cabinet displays food at its finest.

4°C operating temperature

For Factory Options refer to page 54

For Cabinet Accessories refer to page 64

Model	RC6	RC9	RC12	RC15	RC18	RC24
Length	600mm	900mm	1200mm	1530mm	1770mm	2370mm
Depth*	640mm	640mm	640mm	640mm	640mm	640mm
Height	1095mm	1095mm	1095mm	1095mm	1095mm	1095mm
Available Display Area	0.9m ²	1.4m ²	1.9m ²	2.5m ²	2.8m ²	3.8m ²
Power Connection	10A Plug	10A Plug	10A Plug	10A Plug	10A Plug	10A Plug

*Add extra 15mm for protruding control panel and switches

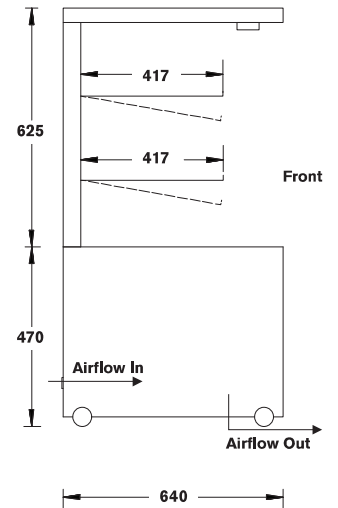


RCO9

STANDARD FEATURES

- > Open front cabinet for “grab and go”
- > Stainless steel top
- > Three food display levels: two shelves plus base
- > Chrome wire shelving system that is height adjustable in 25mm increments and interchangeable between horizontal and tilted positions
- > High quality European refrigeration components
- > Designed to operate at 3 – 5°C in room environments up to 22°C with no air movement across open face
- > **DuraCoat** system providing a protective coating over the refrigeration coil to prevent food acid corrosion
- > **i-frost** intelligent defrost control that minimises time in defrost to better maintain consistent food temperature
- > **SureVap** self-evaporating system for condensate—no drain required
- > Condenser air vented through base
- > **SlimLED** under-shelf LED strip lighting with 12V safety
- > Mounted on lockable castors allowing easy movement of cabinet

SIDE VIEW



For Factory Options refer to page 54

For Cabinet Accessories refer to page 64

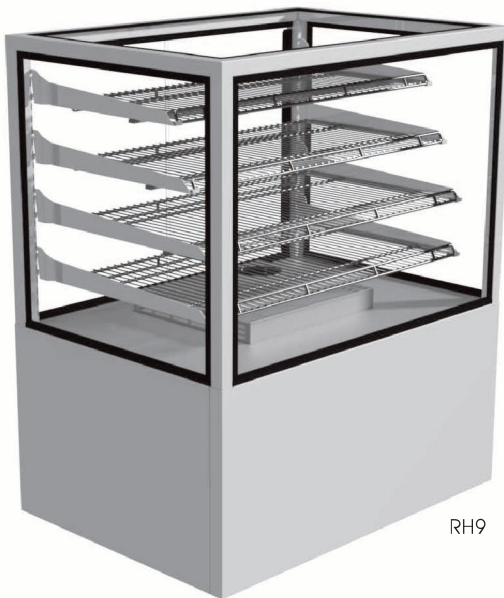
REGENT: CHILLED IMPULSE

A stylish open fronted cabinet that allow for excellent serve-over and simply invites the customer in.

4°C operating temperature

Model	RCO9	RCO12	RCO15
Length	900mm	1200mm	1530mm
Depth*	640mm	640mm	640mm
Height	1095mm	1095mm	1095mm
Available Display Area	1.1m ²	1.5m ²	1.94m ²
Power Connection	10A Plug	10A Plug	10A Plug

**Add extra 15mm for protruding control panel and switches*

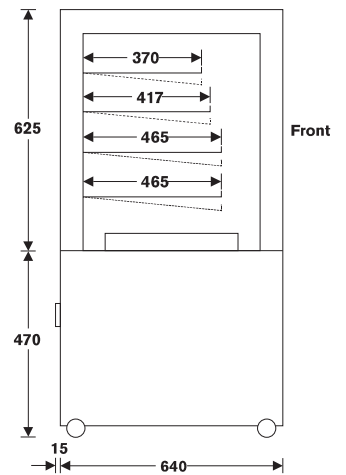


RH9

STANDARD FEATURES

- › **GlassMax** minimalist canopy (more glass/less frame) that maximises the visibility of displayed food from all angles
- › Full glass top for top down viewing of displayed food
- › **Mitrex** frame that is flush welded with mitred joints to give both robustness and a designer finish
- › Four shelf levels; offering more extensive display area than comparable cabinets
- › Chrome wire shelving system that is height adjustable in 25mm increments and interchangeable between horizontal and tilted positions
- › High quality European heating and control components
- › Thermostatically controlled to operate at a temperature set between 30 – 95°C
- › Fan forced air flow for even heat distribution
- › Rapid response element for better temperature control
- › **SlimLED** under-shelf LED strip lighting with 12V safety
- › Rear sliding doors on friction-free, low wear tracks (doors removable for cleaning)
- › Mounted on swivel and lockable castors allowing easy movement of cabinet

SIDE VIEW



For Factory Options refer to page 54

For Cabinet Accessories refer to page 64

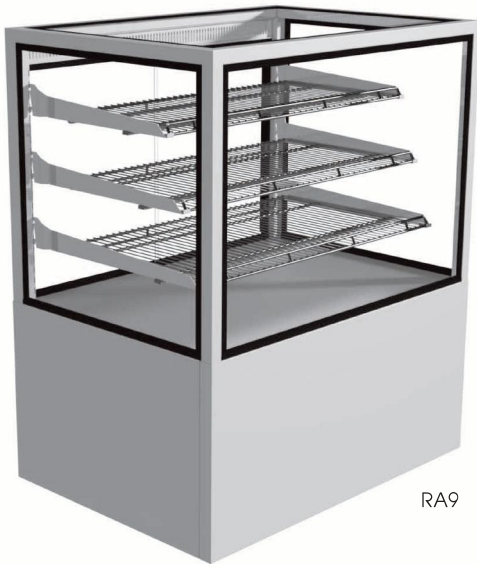
REGENT: HEATED

A stylish serve-over cabinet that shows hot food in the best possible light. The moderate height and top glass of the Regent cabinets allow food to be viewed from all angles.

up to 95°C operating temperature.

Model	RH6	RH9	RH12	RH15
Length	600mm	900mm	1200mm	1530mm
Depth*	640mm	640mm	640mm	640mm
Height	1095mm	1095mm	1095mm	1095mm
Available Display Area	0,9m ²	2,1m ²	1,9m ²	2,5m ²
Power Connection	10A Plug	10A Plug	10A Plug	20A Plug

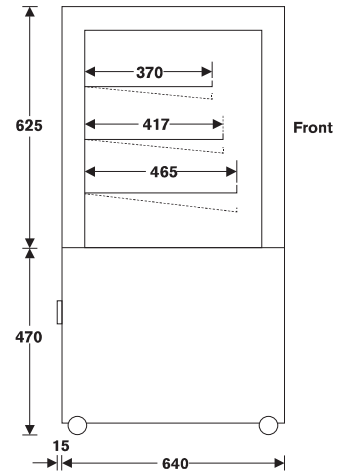
*Add extra 15mm for protruding control panel and switches



RA9

STANDARD FEATURES

- › **GlassMax** minimalist canopy (more glass/less frame) that maximises the visibility of displayed food from all angles
- › Full glass top for top down viewing of displayed food
- › **Mitrex** frame that is flush welded with mitred joints to give both robustness and a designer finish
- › Four food display levels: three shelves plus base; offering more extensive display area than comparable cabinets
- › Chrome wire shelving system that is height adjustable in 25mm increments and interchangeable between horizontal and tilted positions
- › **SlimLED** under-shelf LED strip lighting with 12V safety
- › Top venting to allow heat dissipation
- › Rear sliding doors on friction-free, low wear tracks (doors removable for cleaning)
- › Mounted on swivel and lockable castors allowing easy movement of cabinet

SIDE VIEW

For Factory Options refer to page 54

For Cabinet Accessories refer to page 64

REGENT: AMBIENT

A serve-over ambient cabinet of stylish and minimalist design. Incorporating an elegant glass top, food is displayed at its best.

Model	RA6	RA9	RA12	RA15	RA18	RA24
Length	600mm	900mm	1200mm	1530mm	1770mm	2370mm
Depth*	640mm	640mm	640mm	640mm	640mm	640mm
Height	1095mm	1095mm	1095mm	1095mm	1095mm	1095mm
Available Display Area	0,9m ²	1,4m ²	1,9m ²	2,5m ²	2,8m ²	3,8m ²
Power Connection	10A Plug	10A Plug	10A Plug	10A Plug	10A Plug	10A Plug

*Add extra 15mm for protruding control panel and switches