

SB12

STANDARD FEATURES

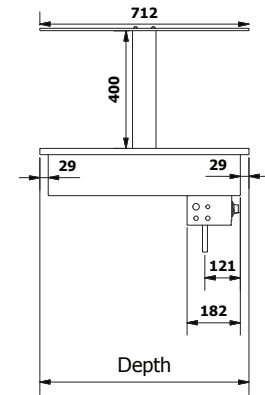
- › Operates **wet** or **dry**
- › Stainless steel well
- › Fits 100mm high Gastronorm pans (Gastronorm pans not supplied with unit)
- › Gastronorm pans not supplied with unit
- › Thermostatically controlled to operate at a temperature up to 95°C
- › Elegant stainless steel gantry
- › Planar glass canopy as standard
- › **DoubleJacket** long life halogen heat lamps mounted in designer overhead lighting system
- › Drain with faucet built in

For Sneeze-Guard and glass canopy options refer to page 45

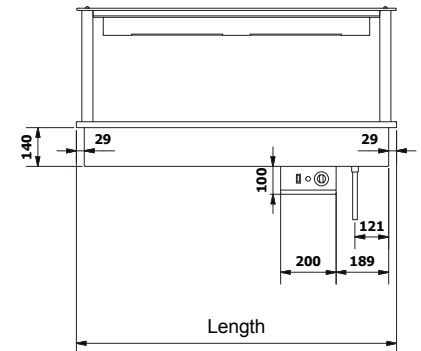
For Factory Options refer to page 46

For Cabinet Accessories refer to page 56

SIDE VIEW



REAR VIEW



SOMERSET: BAIN MARIE

A designer servery for hot food presentation that delivers style and elegance to any buffet or food court environment.

Up to 95°C operating temperature

Model	SB12	SB15	SB18	SB21
Length	1155mm	1480mm	1805mm	2130mm
Depth	712mm	712mm	712mm	712mm
Conopy height above counter	430mm	430mm	430mm	430mm
No. of Gastro 1/1 Pans*	3	4	5	6
Power Connection	15A Plug	20A Plug	Fixed Wiring	Fixed Wiring

**Up to 100mm deep. Gastronorm pans not supplied*