

SHD15

STANDARD FEATURES

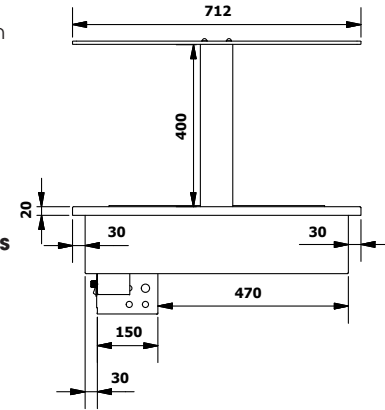
- › Tempered glass deck
- › DoubleJacket halogen heat lamps mounted in designer overhead lighting system
- › Thermostatically controlled to operate at a temperature up to 120°C
- › Elegant stainless steel gantry
- › Planar glass canopy as standard

For Sneeze-Guard and glass canopy options refer to page 53

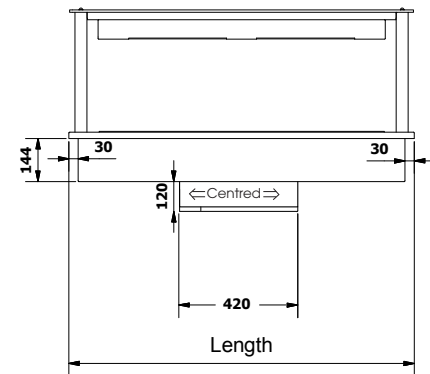
For Factory Options refer to page 54

For Cabinet Accessories refer to page 64

SIDE VIEW



REAR VIEW



SOMERSET: HOT DECK

Displaying hot food with a difference this hot deck servery cabinet provides the style and elegance it deserves.

up to 120°C operating temperature

Model	SHD12	SHD15	SHD18
Length	1155mm	1480mm	1805mm
Depth	712mm	712mm	712mm
Conopy height above counter	430mm	430mm	430mm
Hot Plate (L x D)	1030 x 580mm	1358 x 580mm	1686 x 580mm
Power Connection	10A Plug	15A Plug	15A Plug