

Bench Mounted Pass-Through Chip Dump



100mm deep perforated holding pan

Making use of extra bench space in the kitchen benefits both productivity and efficiency.

Ideal for short runs of fried foods, the Woodson Bench mounted pass-through Chip Dump provides a convenient and accessible location to temporarily store your cooked foods before serving.



Dual heats lamps above produce

FEATURES & BENEFITS

- Single heater pad underneath pan
- 2 heat lamps above
- Supplied with 1 x 1/1 GN 100mm deep perforated pan
- Stainless steel construction
- Dimensions of 600mm wide x 390mm deep x 664mm tall

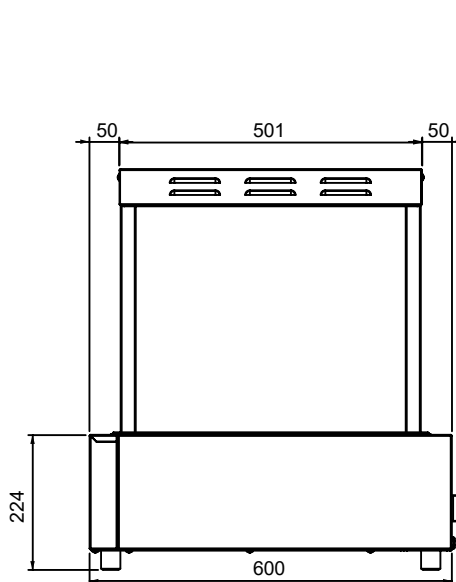
W.CD.B.P.11



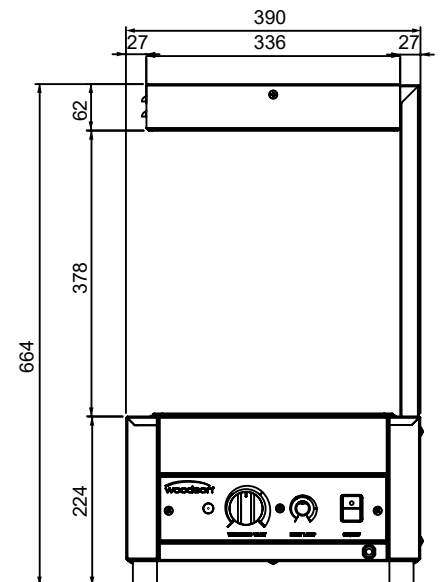
Simple to operate controls

SPECIFICATIONS

kW 1.2 **Amps** 10 **Weight** 16kg
Width 600 **Depth** 390 **Height** 664



Front View



Side View

We reserve the right to alter specifications of products without notice. All dimensions are in mm.

Dealer: