

# XG

## Operator Manual



**WASHTECH**<sup>®</sup>  
PROFESSIONAL WASH SYSTEMS



**WARNING**

Before installation and commissioning, you must read the safety instructions and warnings carefully and all the warning labels attached to the equipment.



**IMPORTANT**

Failure to comply (even partially) with the instructions given in this manual will invalidate the product warranty and relieves the manufacturer of any responsibility



**IMPORTANT**

The alteration of machine operation, design or the replacement of parts not approved by the manufacturer may void warranties and approvals.



**IMPORTANT**

This machine is intended for commercial use only.

**CONTENTS**

Safety Instructions.....	3
Installation.....	4
Installation Diagram.....	5
Operating Procedures.....	6
Troubleshooting.....	8
Schematic Diagram.....	9
Wiring Diagram.....	10
Accessories.....	11

We have checked that the contents of this document correspond to the model described. There may be discrepancies nevertheless, and no guarantee can be given that they are completely identical. The information contained in this document is reviewed regularly and any necessary changes will be included in the next edition. We welcome suggestions for improvement.

Specifications and document subject to change without prior notice.

Information supplied in this manual is copyright. No part of this work may be reproduced or copied in any form or by any means, electronic or mechanical without the express permission of the author / publisher.

**Service 1 800 622 216**

**Parts 1 800 337 963**



Distributed in Australia by Moffat Pty Limited  
740 Springvale Road, Mulgrave, Victoria  
Tel 09 9518 3888 | Fax 03 9518 3818

# Safety Instructions



## **WARNING**

Equipment contains dangerous voltages and can be hazardous if installed or operated incorrectly. Non-compliance with warnings or failure to follow the instructions contained in this manual can result in loss of life, severe personal injury or serious damage to property.

## **Installation**

- Use qualified, skilled personnel
- Follow installation instructions
- Connect to correct voltage and supply current
- Provide fully accessible electrical Isolation Switch & water supply valves

## **Training and Supervision**

- Read and understand the Operating instructions and train all staff
- This appliance must not be operated by children or infirm persons
- Machine panels must only be removed by suitably qualified and trained personnel – internal hazards include live electrics and very hot surfaces
- This appliance is not intended for use as a stepladder

## **Hot Surfaces**

- Some surfaces may be hot or very hot

## **Chemicals**

- Commercial dishwashing detergents are hazardous – handle with care
- Read and follow the safety information found on the labels of detergent containers and Material Safety Data Sheets
- Use protective eyewear and clothing if decanting containers

## **Hot Water**

- Do not put hands in wash water which may be over 60°C and contain hazardous caustic detergent
- Rinse water can be over 90°C
- Door safety switches are designed for emergency use only

## **Cleaning**

- Do not hose down the machine or splash water over the exterior
- Watch for broken glass etc when cleaning the inside of the machine

## **Service/repair**

- Under no circumstances the user should attempt to carry out repairs
- All service/repair work must be carried out by qualified personnel only

## **Power Cord Replacement**

- If the supply cord is damaged, it must be replaced by the manufacturer or its service agent or a similar qualified person in order to avoid a hazard

# Installation Checklist



## WARNING

Installer must be suitably qualified and ensure compliance with all codes and standards including AS/NZS3500.1.

## Unpack

- Unpack the machine, check for damage and complete delivery.

## Positioning

- Place machine on sound waterproof self draining floor, fit feet and adjust feet to level
- Allow room for adjacent chemical containers

## Water

- Flush supply lines before connection
- Connect hose supplied to adjacent accessible isolator valve - 20 mm 3/4 male
- Flow rate required - 20 litres per minute
- Temperature - 65°C
- Consumption per cycle - 1.5 litres
- Pressure required - 200-350 kPa - fit limiter above this pressure
- Back Flow - Atmospheric Vacuum Breaker
- Potable water quality is required - filter or soften if necessary

## Water Quality Requirements

Hardness						
min		ppm				pH
max		20				7
		100				8
Ions	Cl <sup>-</sup>	SO <sub>4</sub>	Fe	Mn	Cu	Cl <sub>2</sub>
Max mg/L	100	400	0.1	0.5	0.05	0.1

## Power

- Machine shipped with cordset for 15 A 240V 50Hz via adjacent switched outlet

## Waste

- Connect drain pump hose supplied to upstand or sink waste connection

## Detergent

- Note that detergent is hazardous - read instructions and handle with care
- Insert hose into container of commercial dishwasher low foam detergent
- Pump will prime as machine fills and then comes up to strength with use

## Rinse Fluid

- Insert hose into adjacent container of commercial dishwasher rinse fluid
- Injector accessible via front panel - increase consumption by winding adjusting screw out
- Every turn of the adjusting screw will increase the dose by about 0.4ml

## Operation

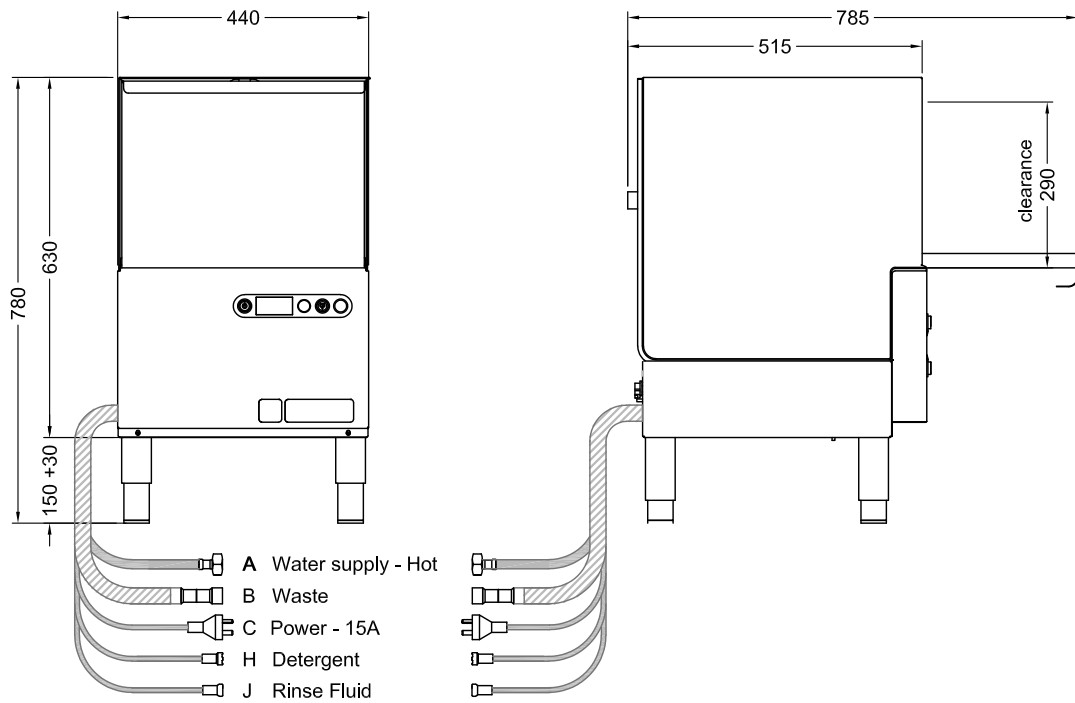
- Run several cycles, ensure that operator has read and understands instructions

## Troubleshooting Installation

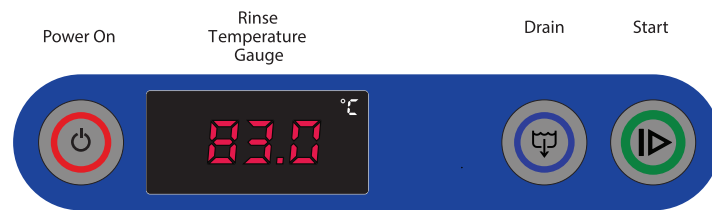
- If machine doesn't fill after switching on power, check & ensure that hot water supply tap is open, water supply pressure is not below specification

# XG Installation Diagram

XG INST 24-03-17 3 C



# XG Machine Operation



## START UP

Turn machine on at wall. Fit filter, upstand and shut door.  
Press Power On button on machine.  
Power button light glows red and machine fills automatically  
Rinse temperature will begin to rise on the temperature gauge once the machine has filled.

## OPERATION

Load rack into machine and shut door  
Press Start button to activate 1 minute cycle - start button glows green while machine operates.  
When Start button light goes out, cycle is complete.  
Remove rack, close door.

NOTE: Machine might operate longer than specified above if rinse water temperature is below required temperature.

## SHUT DOWN EVERY NIGHT

Open door and press Drain button  
Drain button glows blue as machine drains.  
After draining starts remove drain upstand once the water level is below the top of the upstand.  
Allow to drain for approximately 1 minute or until wash tank is empty.  
Turn Drain and Power buttons off.  
Remove filter and rinse clean.  
Replace filter and drain upstand.

## DAILY CLEANING

The machine must be drained and cleaned at the end of each day.  
Drain the machine as per the shut down instructions.  
Remove, clean and replace filters.  
Regularly check the wash and rinse jets on the wash and rinse arms and clean if necessary.

## MAINTENANCE

Regular servicing of the dishwasher is essential for high performance, efficient operation and long machine life.  
Contact us for information on a maintenance program.

**WASHTECH®**

**Service 1 800 622 216**  
**Parts 1 800 337 963**





## Operating Procedures

### PRE-RINSING

Pre-scraping of dishes is required by Food Hygiene Regulations. The best method is to pre-rinse with warm water with a Fisher Pre-rinse Unit - or alternatively by scraping or dunking in water. Cutlery should be pre-soaked in warm water, preferably containing a cutlery pre-soak compound - refer to your chemical supplier.

### RACKING PROCEDURES

Do not overload racks or cutlery containers, minimise the overlap of crockery. Wash cutlery unsorted, handles down. Cycle times are short and water consumption per cycle low - so there is no advantage in overloading racks.

### CYCLE TIMES

The XG has A 60 second cycle.

### CHEMICAL

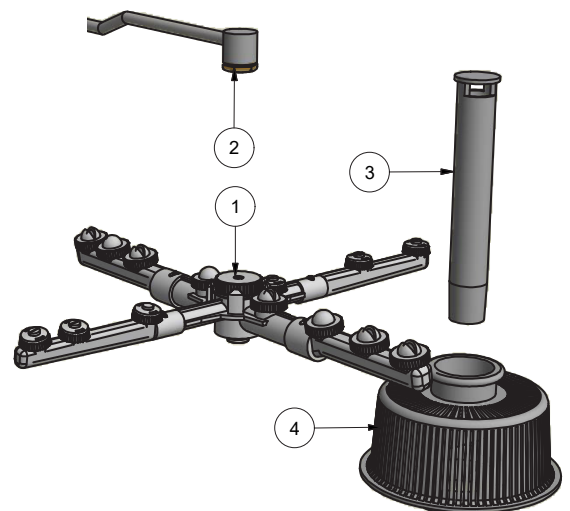
Correct type and quantity of detergent is essential for good results. Use good quality chemicals and regularly check containers. Discuss the use of drying agent and cutlery pre soak solution with your chemical supplier. Detergent concentration can be changed by adjusting the timer (refer service manual). Rinse Fluid is factory set to a low injection rate, and will take many cycles to prime. The operator can adjust this via the adjusting screw on the front cover (refer service manual).

### DRYING

Single tank commercial dishwashers do not have a drying cycle. However, the machines do rinse at high temperatures which promotes fast drying particularly when drying agents are used. At the end of the cycle promptly remove the rack from the machine - leave the rack on the bench for 2 to 3 minutes before emptying.

### REGULAR CLEANING – at least once a week

Remove wash and rinse arm by undoing central thumbscrew (1). Inspect all jets including top jet (2), use toothpick or paperclip and remove jets if necessary to flush and clear. Remove upstand (3) and filter (4). Clean and replace all items.



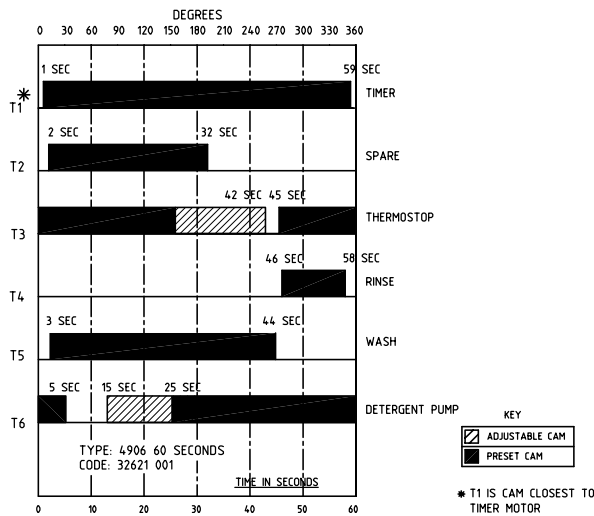
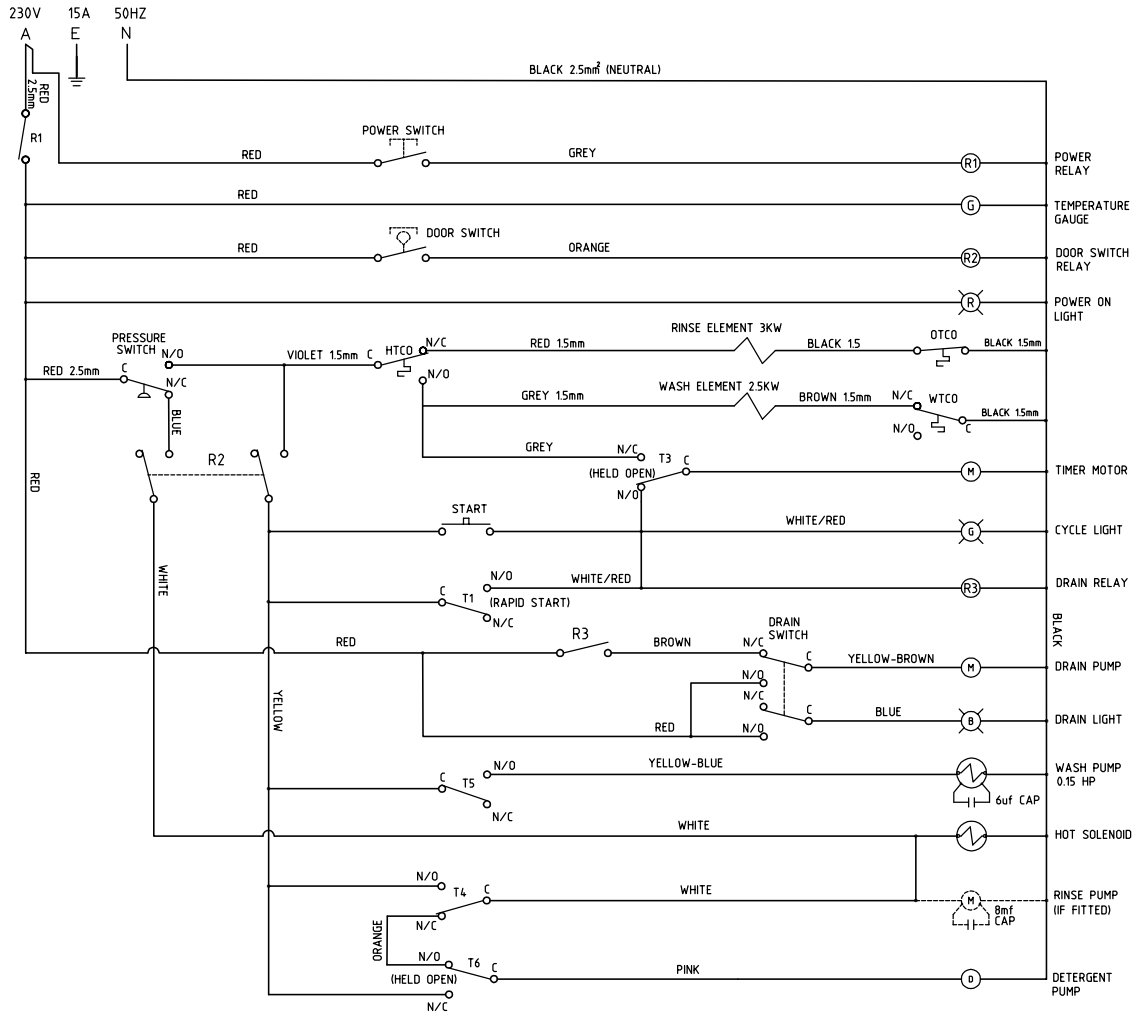
# Troubleshooting

<b>Fault</b>	<b>Cause</b>	<b>Remedy</b>
<b>Filling</b>		
Not filling	Water supply valve shut	Check Water supply valve
Filling during wash cycle	Door Switch not operating	Check Door is closed
	Upstand not fitted properly	Check Drain upstand is fitted
<b>Heating</b>		
Dishes not hot enough	Machine not rinsing	Check water supply temperature
	Rinsing but not hot	Check water supply temperature & arms spinning freely
<b>Cycle start</b>		
Does not start	Door switch	Check door is closed
<b>Cycle Finish</b>		
Wash too long	Water supply cold	Check water supply temperature
<b>Performance</b>		
Poor wash result	Detergent not used	Use quality low foam product
	Overloading racks	Do not overload racks
	Not pre-rinsing	Use Fisher pre-rinse
	Wash arms not rotating	Remove and clean arms/check bushes
	Wash jets blocked	Remove arms and clean jets
	Excessive soiling	Pre-rinse/use long cycle
Poor rinse results	Unrealistic expectation	E.g. baked on soiling requires pre-soaking
	Rinse jets blocked	Remove arms and clean jets
	Rinse arms not turning	Remove arms, clean jets, check bushes
	Poor racking procedures	Do not overload racks
Not drying	Excessive wash tank soil build up	Pre-rinse, change wash water regularly
	Poor wash/rinse performance	Refer above
	Low temperatures	Check heating systems
Foaming Wash	Drying agent not used	Use quality drying agent/rinse fluid
	Excessive Rinse Fluid	Adjust Rinse Fluid Injector



# XG-3 Schematic Diagram

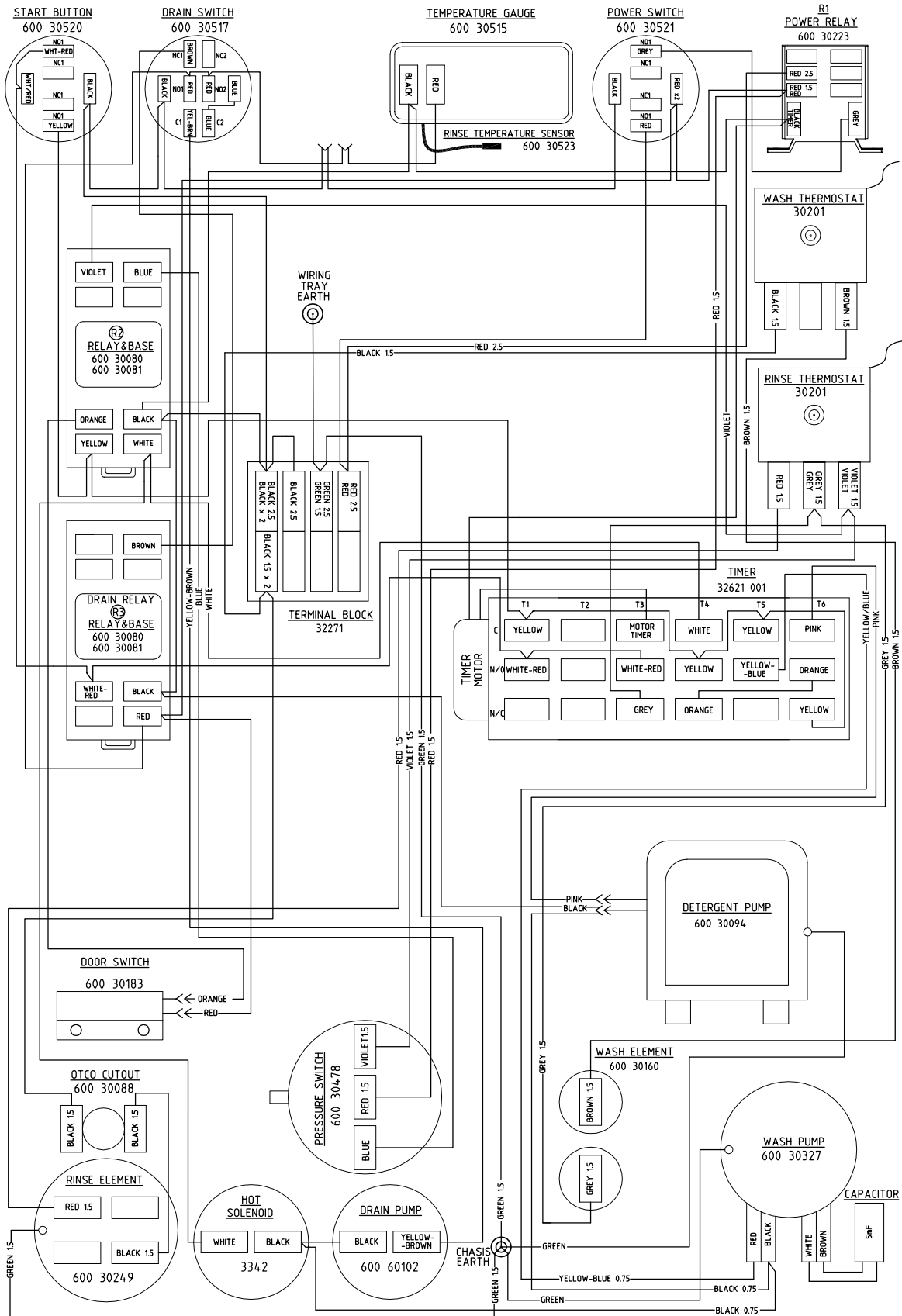
060182 12/07/16 1A



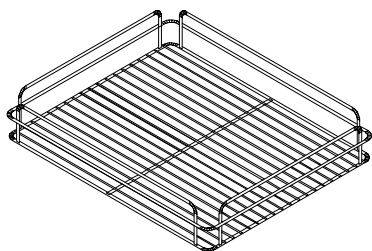
# XG-3 Wiring Diagram

060282 19/09/16 1A

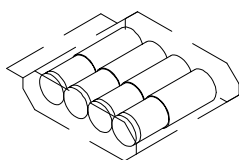
Refers to XG-3 Schematic Diagram 060182



# Accessories

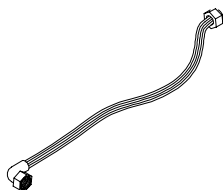


**K0401**  
**GLASS RACK 365mm**



**600 90021**  
**ASSY GA/GM LEG (INOX 32x180xM10)**

**7026@**  
**BAG MINIGRIP 230 x 305 x 70mu**



**600 60080**  
**2m HOSE ANGLE END**

Information supplied in this manual is copyright.  
No part of this work may be reproduced or copied  
in any form or by any means, electronic or  
mechanical without the express permission of the  
author/publisher

Distributed in Australia by Moffat Pty Limited



740 Springvale Road  
Mulgrave 3170  
Victoria  
Australia

24HR Service 1 800 622 216  
Parts 1 800 337 963

Tel 03 9518 3888  
Fax 03 9518 3818  
E-mail [vsales@moffat.com.au](mailto:vsales@moffat.com.au)  
web [www.moffat.com.au](http://www.moffat.com.au)

#### ISO9001

All Washtech products are designed and  
manufactured by Washtech using the  
internationally recognised ISO9001 quality  
management system, covering design,  
manufacture and final inspection, ensuring  
consistent high quality at all times.

In line with policy to continually develop and  
improve its products, Washtech Ltd reserves the  
right to change specifications and design without  
prior notice.

an Ali Group Company



The Spirit of Excellence

# XG

## Economy Undercounter Glasswasher – 365mm Rack W 440mm x D 515mm x H 780mm

Washtech's XG is a compact recirculating glasswasher ideal for the tightest of locations. With one of the industry's lowest water consumption rates along with leading rinse heating, the XG provides excellent wash results in less time, while being light on operating costs and the environment.

The XG features Washtech Hybrid Controls which combine IP65 stainless switches, tried-and-tested switchgear, with a customisable electronic timer.

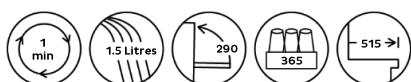
Since 1981 Washtech dishwashers and glasswashers have been constructed from heavy-duty stainless steel, and are engineered specifically for Australian conditions and regulations. Backed by the most extensive service network and spare parts inventory in the region, your Washtech glasswasher will not let you down.

### Standard Features

- Quikstart 1 minute wash cycle
- Washes up to 540 glasses per hour
- Low hot water consumption of 1.5 litres per cycle
- Washtech Hybrid Controls
- Self cleaning cycle
- QuikConnect (Plug & Play) installation, supplied complete with:
  - Water supply hose
  - Detergent and rinseaid pumps with injector lines
  - Drain pump with outlet hose
  - 15 amp plugset
  - No commissioning required
- Heavy-duty stainless steel construction
- Lower wash/rinse arm with precision moulded jets and an upper rinse jet
- Watermark approved backflow prevention
- Easy-clean composite wash filter
- Comprehensive 5-2-1 Warranty

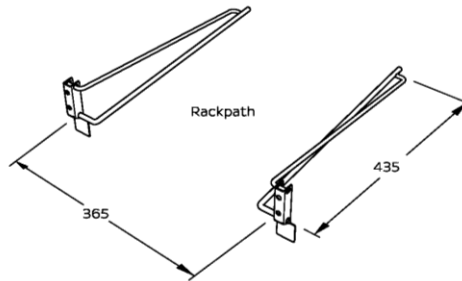
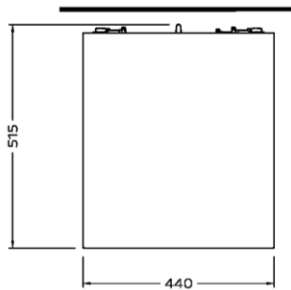
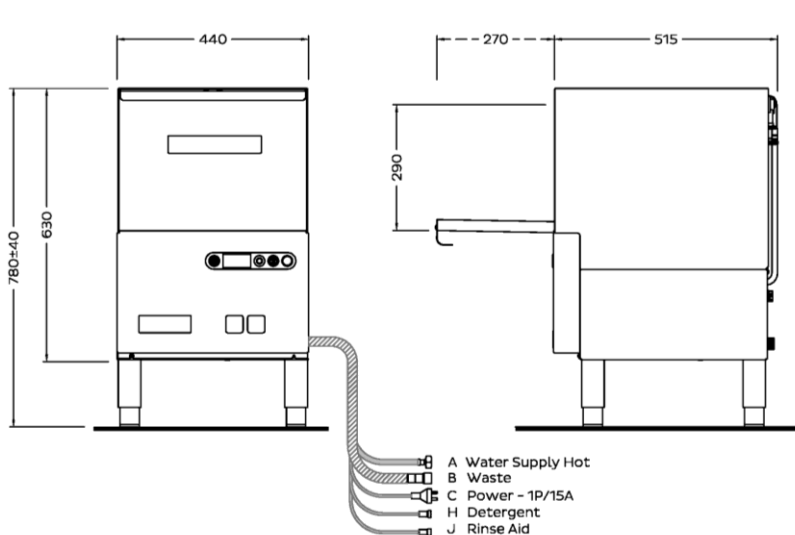
### Includes:

- 1 x K0401 – 365mm glass rack



# XG

Economy Undercounter Glasswasher – 365mm Rack  
W 440mm x D 515mm x H 780mm



**MOFFAT**  
moffat.com.au

**Australia**  
Moffat Pty Limited

**Victoria/Tasmania**  
740 Springvale Road  
Mulgrave, Victoria 3170  
Telephone 03-9518 3888  
Facsimile 03-9158 3833  
vsales@moffat.com.au

**New South Wales**  
Telephone 02-8833 4111  
nswsales@moffat.com.au

**South Australia**  
Telephone 03-9518 3888  
vsales@moffat.com.au

**Queensland**  
Telephone 07-3630 8600  
qldsales@moffat.com.au

**Western Australia**  
Telephone 08-9202 6820  
wasales@moffat.com.au



**ISO9001**  
All Washtech products are designed and manufactured by Washtech using the internationally recognised ISO9001 quality management system, covering design, manufacture and final inspection, ensuring consistent high quality at all times.

In line with policy to continually develop and improve its products, Washtech reserves the right to change specifications and design without notice.



© Copyright Moffat Ltd  
Version: 1806

<b>A Hot water</b>	
Temperature	65°C
Connection	3/4" male; hose supplied
Pressure	200-350kPa
Flow	20 litres per min
Quality	Potable - refer table
Backflow Prevention	Atmospheric Vacuum Breaker
Consumption	1.5 litres per cycle*

<b>B Waste</b>	
Connection	Hose supplied for 38mm open standpipe 750 high or connection to sink trap

<b>C Electrical</b>	<b>V</b>	<b>Hz</b>	<b>A/phase</b>	<b>max kW</b>
Single Phase	240	50	15	3.15

<b>Dimensions</b>	<b>Machine</b>	<b>Packed</b>
Width	440	480
Depth	515	570
Height	780	740
Weight	29	42
Cubicmetres		0.2

<b>Water Quality</b>	<b>Min</b>	<b>Max</b>
pH	7	8
Hardness ppm	20	100
Cl <sup>-</sup>		100
SO <sub>4</sub>		400
Fe		0.1
Mn		0.5
Cu		0.05
Cl <sub>2</sub>		0.1

Refer operator manual for installation instructions. Isolating switch must be within 1m of, and not directly behind the machine. Isolating water valve must be readily accessible.

\*Consumption may vary with site conditions.

an Ali Group Company



The Spirit of Excellence